

Instructions for use and maintenance

(TRANSLATION OF ORIGINAL INSTRUCTIONS)



Istruzione di montaggio - Instructions for the installation

500

33 a molla - 33 spring operated
41 a molla - 41 spring operated



1. SCOPE

These instructions are for the use of fitters, maintenance mechanics, owners or users of our flyscreens or blinds. By providing this instrument Bettio Flyscreens srl wishes to provide its customers with the means to use our flyscreens and filter or black-out blinds properly once fitted, in order to optimise their performance.

It is therefore advisable to keep these notes to hand so they can be consulted whenever needed. They are in any case extra to the User's Manual and Technical File available from the company.

2. APPLICATION

These instructions are suitably adapted to each of the following models: Scenica®, Lateral without barriers 50 - Scenica®Incasso, Lateral built-in without barriers 50 - MiniScenica®, Lateral without barriers 40 - MiniScenica®Incasso, Lateral built-in without barriers 40 - PicoScenica®, Lateral without barriers 25 - Motoscenica®, Lateral motorised without barriers - Motoscenica®Incasso, Lateral built-in motorised without barriers - Moovica, Vertical motorised - MoovicaIncasso, Vertical motorised built-in - Fox, Spring built-in 46 mm - Delta, Click-clack spring built-in 50 mm - Sigma, Click-clack chain built-in 50 mm - Omega, Lateral built-in 50 mm - Zeta, Spring built-in 40 mm - Kappa, Lateral built-in 40 mm with magnet - India, Built-in 50 mm - Africa, Chain built-in 50 mm - Sonia, Traditional spring - Katia, Traditional chain - Alba, Spring telescopic end caps and square box - Lisa, Lateral telescopic end caps and square box - Alfa, Spring radial box with telescopic end caps - Clever, Spring with click-in end caps - Beta, Lateral telescopic end caps and radial box - Gamma, Chain telescopic click-clack® with radial box - Rosy, Clutched spring click-clack® end caps and telescopic rails - Giudy, Chain click-clack® end caps and telescopic rails - Mini, Spring 31 with anti-wind side rail - Flash, Lateral magnet 31 with anti-wind side rail - RevoluxyBettio, click-clack® 40 with anti-wind side rails - Fixed frame, Fixed - Elena, sash insect screen - Laura, Sliding - Maya, Sliding without ground rails - Alice, Hinged door with return spring - Sabbia, 41 spring - Acqua, 33 spring - Terra, 41 chain - Aria, 33 chain.

3. REFERENCES

These instructions have been drawn up considering the products used in normal conditions. They are to be used together with other instructions given directly on the machines, also to inform operators/users of the residual risks inherent in the products.

The fitted flyscreen system has the exclusive function of protecting against the intrusion of insects and small animals. The function of filtering systems or black-out blinds is to filter daylight in a given area. Making any other use of the product is considered improper and is therefore prohibited as the relative working conditions are not taken into consideration in the hazard analyses carried out by the manufacturer. For this reason there may be no specific protection against such hazards. Do not lean against the mesh or fabric. Do not release the handle bar until the mesh or fabric is entirely rewound. Close the flyscreen or blind when wind speed reaches 20 km/hr.

Improper use exonerates the manufacturer from any liability for possible damage to persons or things.

Failure to observe the conditions for use automatically nulls any type of guarantee provided by the manufacturer.

5. OPERATORS' REQUISITES

Anyone above the age of 12 can make normal use of flyscreens and filter or black-out blinds. Installation, repairs and extraordinary maintenance should be carried out by qualified technicians.

6. RECOMMENDATIONS FOR FITTING

With regard to personal safety, fitting must be carried out in observance of Italian Legislative Decree 81/2008 and later amendments and integrations. Under the terms of law, the customer and fitter are both responsible for safety concerns.

Before using folding mobile scaffolds, scaffolding, ladders and personal protective equipment (harnesses, safety belts, gloves, safety shoes, hard hats, etc.) always check their condition and compliance with regulations. Use suitable lifting harnesses.

When there is a team of fitters the work must be coordinated and tasks and responsibilities defined.

Operators shall observe the safety instructions received (Health and Safety Plan).

If the product is to be fitted on storeys above the ground floor, cordon off and attend the area when lifting the product to ensure that no-one is ever under a raised load.

The packing contains instructions for assembly, use, maintenance and warranty; they must be handed over to the end user after the fitter has illustrated them.

7. INSTALLING THE MECHANICAL STRUCTURE

Wrong or bad installation may cause accidents. Read the instructions carefully so that the product is properly fixed and cannot fall out.

Check the condition of the structure to which the flyscreen or blind will be anchored/fixated. The dynamic load the fully unwound flyscreen must bear is that of a 130 km/hr wind.

Black-out or filter blinds may be fitted to a wall or door/window; the choice of plugs for wall fitting and screws for door/window fitting depends on the type and condition of the wall or door/window. Fitting black-out or filter blinds to a wall: we advise the use of 3x30mm countersunk head screws with Euro4 nylon rawl plug for securing the bottom shoes and top, and 4x40mm countersunk head screws with Euro6 nylon rawl plug for fixing the rails.

Fitting black-out or filter blinds onto a door or window: we advise the use of 3x20mm countersunk head screws for securing the bottom shoes and top, and 3x12mm countersunk head screws for fixing the rails. Where hollow bricks are involved use expansion rawl plugs with a suitable amount of chemical adhesive.

If the necessary resistance for safe fixing is not ensured, increase the number of rawl plugs and screws. The choice of screws and rawl plugs also depends on the condition and type of the wall/metal/door/window structure onto which the product will be fitted. Plugs and screws are not provided.

Take care when handling the product: the rollers are spring loaded.

Fitting instructions are given on the sheet in the packing. If it is necessary to seal, use neutral silicone resin.

8. MAINTENANCE

8.1 Routine Maintenance

As the materials used in manufacturing our flyscreens/blinds are of top quality, no routine maintenance is necessary apart from occasional cleaning of the fabric or mesh to prevent the formation of mould caused by dust or other matter. Make a visual check of the fabric or mesh at least twice a year; with regard to the mesh, in spring before summer opening and in autumn before winter closing. Use a vacuum cleaner to clean dust off fabric or mesh. If the fabric is marked "WASHABLE" in the catalogue it can be washed with a sponge or cloth soaked in warm water. Dry the fabric or mesh after cleaning and before rewinding. DO NOT use solvents, ammonium or hydrocarbons for cleaning.

WARNING: the use of ladders, folding mobile scaffolds or other is reserved for specialists who will perform cleaning operations according to safety regulations and using personal protection equipment such as safety harnesses with fall arrester ropes (see Italian Legislative Decree 81/2008).

8.2 Extraordinary Maintenance

ATTENTION: all extraordinary maintenance operations must be performed by professionally qualified trained personnel: for this reason hire a specialist.

To dismount your flyscreen and/or black-out or filter blind, or any part of it, see the fitting instructions. If the mesh or fabric is torn, even slightly, it must be replaced.

The warranty will not be valid if original spare parts are not used.

9. WARRANTY

The warranty is applied as per Italian Legislative Decree No. 24 of 02.02.2002 and later amendments.

The warranty covers the operation of the product and the materials comprising it, excluding indirect damage. The warranty does not cover any costs incurred to reach the location of the product under warranty and any fitting or removal costs.

For duration and validity of the warranty (24/12 months according to whether the sale was to a private individual or company/professional) please refer to the fiscal sales receipt and the label on the product.

In any case, to take advantage of the warranty the purchaser must report the fault in writing to the seller within two months of its occurrence, otherwise the warranty will be null and void.

9.1 Manufacturer's Warranty

Notwithstanding the terms of law, for products manufactured from 01/01/2016 Bettio Flyscreens srl provides a manufacturer's warranty as per art. 133 of Italian Legislative Decree 206/2005 exclusively on the plastic and mechanical parts of the products.

The conditions of this warranty are given below. They do not affect statutory rights:

a) Validity of this manufacturer's warranty is ten years from the production date indicated on the product ID label.

b) This manufacturer's warranty refers solely to the repair and/or replacement (labour included and without costs) of the plastic and mechanical parts of the products. It excludes all aluminium parts, the mesh/fabric, all electric and electronic parts such as electric motors, automation and switches, the entire Motoscenica® automation package and brushes. The purchaser shall cover the costs for dismantling, assembling and transporting to our premises at Marcon, Italy.

c) If this is not possible, we will replace and/or repair as indicated above in order to ensure that the customer has a product in perfect working order. In addition, at our discretion we will provide a new product with similar characteristics to the previous one, within the limits of clause b) above.

d) Operations under manufacturer's warranty do not cause an extension of the duration of the statutory warranty.

9.2 Warranty Void

- Improper use of the product with wind, rain, hail, snow and/or combinations of such. Black-out or filter blinds are exclusively for indoor use.

- Structural failure of the part to which the product is anchored.

- Manhandling; fitting, dismantling and maintenance not carried out by specialists or not in observance of regulations and assembly instructions.

- Lack of obligatory maintenance within the established terms.

- Use of spare parts not original Bettio Flyscreens srl.

- Removing or obscuring the Bettio Flyscreens srl ID label, impeding product traceability.

For other specific items not covered by the warranty, see any notes indicated by the company.

In the case of controversy, the only competent court is the Court of Venice, Italy.

10. PACKING, HANDLING AND TRANSPORT

Black-out or filter blinds are packed in a protective cellulose paper bag with cardboard shapes to protect and hold the frame in place during transport. Flyscreens are packed in MDT shrink film to protect and hold the frame in place during transport on our vehicles, or collected from our facilities by the customer; if flyscreens are transported by couriers the product is packed in MDT shrink film and then placed in a cardboard box with air-filled bags to protect and hold the structure in place during handling and transport. Scenica® products are packed in cardboard boxes. Elena, Sash insect screen - Laura, Sliding - Maya, Sliding without ground rails - Alice, Hinged door with return spring, are in any case packed in cardboard boxes with air-filled bags to hold the product in place during transport. Given the dimensions and shape of the products, those with a length exceeding 240 cm should be handled by two people.

Keep out of reach of children, packing material can be highly dangerous for them.

11. HAZARDS

11.1 Fitting: adopt all the precautions indicated on the site, paying special attention to the hazard of falling.

11.2 Hazards inherent in use and ordinary maintenance. Products with return spring:

a) Winding speed with hazard of injury by the handle bar

b) Winding speed with hazard of injury by the pull cord

c) Hazard of uncontrolled release and abnormal operation: winding speed with hazard of injury by the handle bar

d) Hazard of falling when cleaning the frame, fabric or mesh: do not lean out unless provided with suitable protective equipment

11.3 Hazards inherent in maintenance/repairs:

a) Hazard of knocks when loading/releasing the spring

b) Hazard of wrong refitting of flyscreens or blinds when changing the mesh, or black-out or filter blind fabric

c) Hazard deriving from not using equipment and personal safety equipment marked with the CE label

11.4 Hazards deriving from the chain winding round children's necks: the chain must not be placed at below 120 cm from the ground. Use the safety chain tensioner provided with the flyscreen.

11.5 Hazard of tripping over the mobile rails of Scenica® products: place a warning sign in view

11.6 Hazard of tripping over the bottom rail for the door with side opening: place a warning sign in view

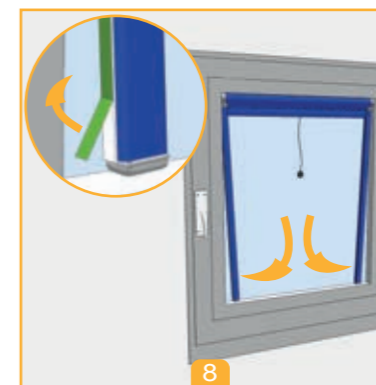
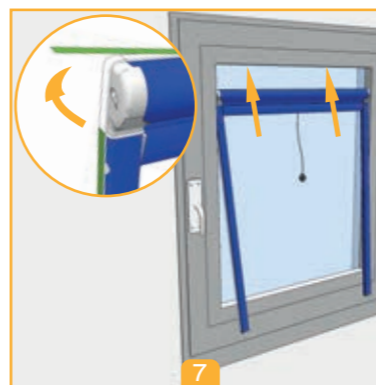
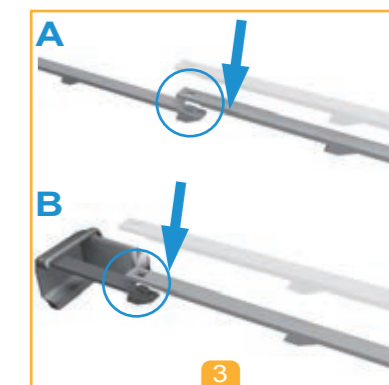
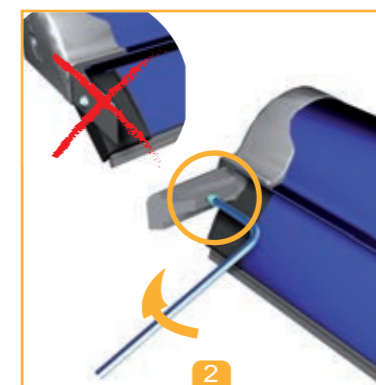
11.7 Hazards arising from decommissioning: the product must be decommissioned in observance of current regulations

11.8 The noise rating is below 70 dB(A)

Distinta - List of profiles and components



- 1) Un cassonetto completo. A complete casement box.
- 2) Due Guide con uno spazzolino. Two side guides with a single brush.
- 3) Una coppia di Adattatori per molla. A pair of adjusting plugs for spring.
- 4) Una coppia di piedini per molla. A pair of shoes for spring.
- 5) Alcuni agganci intermedi. Some hooks in intermediate position.
- 6) Due grani e una chiave a brugola. Two setscrews and hexagonal key.



Istruzioni d'uso e manutenzione

ISTRUZIONI ORIGINALI



10



11



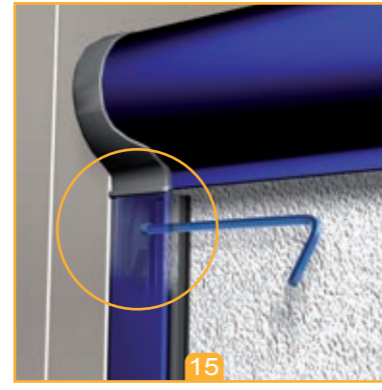
12



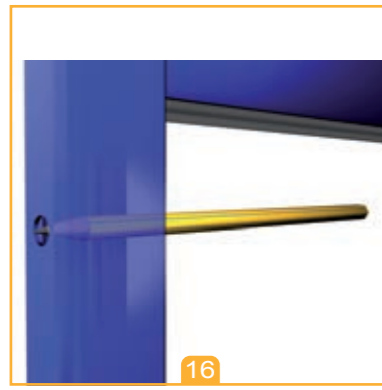
13



14



15



16



17



18



19



20



21



22



23



24

1. SCOPO

Queste istruzioni sono rivolte a chi utilizza la zanzariera o la tenda come installatore, manutentore, proprietario o utente. Con questo strumento la Bettio Flyscreens srl intende fornire al Cliente uno strumento di supporto per un uso più consapevole e corretto dei sistemi di zanzariere e tende filtranti o oscuranti installati, al fine di un'ottimizzazione delle loro prestazioni. E' quindi consigliato per un corretto e vantaggioso utilizzo del sistema tenere disponibili le presenti note ai fini di garantire una rapida consultazione ogni qualvolta le circostanze lo rendano necessario. Esse sono comunque supportate dal Manuale d'uso e Manutenzione e dal Fascicolo Tecnico disponibili in Azienda.

2. CAMPO DI APPLICAZIONE

Le presenti istruzioni si riferiscono ai seguenti modelli: Sabbia, 41 a molla - Acqua, 33 a molla - Terra, 41 a catena - Aria, 33 a catena, per i quali sono coerentemente adattati i contenuti.

3. RIFERIMENTI

Le presenti istruzioni, sono state redatte tenendo conto delle normali condizioni di uso della macchina al fine di informare, unitamente alle altre istruzioni per l'uso apposte sulla macchina, gli operatori/utizzatori anche sui rischi residui che la stessa presenta.

4. USI PREVISTI

La funzione del sistema zanzariera installato è esclusivamente quella di dare protezione contro l'intrusione di insetti e piccoli animali negli ambienti da proteggere, mentre la funzione dei sistemi filtranti e oscuranti è esclusivamente quella di filtrare od oscurare un determinato ambiente dalla luce diurna. Ogni impiego diverso da quello indicato deve essere considerato improprio, e pertanto vietato, in quanto le relative condizioni di esercizio non sono state considerate nell'analisi dei rischi condotta dal fabbricante e per i quali potrebbero non essere presenti protezioni specifiche. E' vietato appoggiarsi alla rete o al tessuto. E' vietato lasciare la barra maniglia senza accompagnarla fino al totale riavvolgimento della rete o del tessuto.

Quando la velocità del vento raggiunge i 20 km/h è necessario chiudere la zanzariera o la tenda. L'uso improprio assolve da ogni responsabilità il costruttore stesso, per eventuali danni causati a persone o cose. Il mancato rispetto delle condizioni d'uso fa decadere automaticamente qualsiasi tipo di garanzia data dal produttore.

5. REQUISITI DELL'OPERATORE

L'uso normale della zanzariera e della tenda filtrante o oscurante, è consentito ad operatori non professionisti purchè di età superiore ad anni 12.

Le operazioni di installazione, riparazione e manutenzione straordinaria, devono essere effettuate da personale tecnico qualificato.

6. RACCOMANDAZIONI PER L'INSTALLAZIONE

L'installazione deve essere eseguita nel pieno rispetto del D.Lgs. 81/2008 e delle successive modifiche e integrazioni, per tutto ciò che attiene la sicurezza delle persone.

Il committente e l'installatore sono rispettivamente responsabili ai sensi della legge vigente, in materia di sicurezza.

E' necessario controllare, prima dell'utilizzo, che trabattelli, ponteggi, scale e tutti i dispositivi di protezione individuale (imbracature, cinghie di sicurezza, guanti, scarpe di sicurezza, elmetti, ecc.), eventualmente utilizzati, siano a norma ed in buono stato. Utilizzare i mezzi d'imbracatura adeguati.

Nel caso gli installatori siano più di uno, è necessario coordinare i lavori, definire i compiti e le responsabilità.

Gli operatori devono comportarsi in conformità alle istruzioni di sicurezza ricevute (POS).

Nel caso in cui il prodotto debba essere montato ad un piano elevato rispetto a quello di terra, è necessario delimitare e presidiare l'area durante la salita al piano del prodotto in modo che nessuno possa trovarsi sotto l'eventuale carico sospeso.

L'imballo del prodotto contiene le istruzioni di montaggio, d'uso, manutenzione e garanzia: l'installatore deve accertarsi che siano consegnate, previa lettura e commento, all'utilizzatore finale.

7. INSTALLAZIONE DELLA STRUTTURA MECCANICA

Una installazione non corretta può essere causa di infortuni alle persone. Leggere attentamente le istruzioni per un fissaggio corretto del prodotto in modo da evitare rischi di caduta dello stesso. E' necessario verificare lo stato della struttura sulla quale viene effettuato l'ancoraggio/fissaggio della zanzariera o della tenda. In realtà lo sforzo dinamico cui il telaio dovrà resistere con la zanzariera completamente svolta dal cassonetto, è quello del vento che soffiava a 130 km/h.

La tenda oscurante o filtrante può essere installata sul muro o sul serramento: la scelta dei tasselli di ancoraggio per l'installazione sul muro e delle viti di fissaggio per l'installazione sul serramento, è dipendente dal tipo e dallo stato del muro o del serramento.

Installazione della tenda oscurante o filtrante sul muro: per il fissaggio delle testate e dei piedini inferiori si consiglia di usare viti a testa cilindrica con impronta a croce da 3x30 mm con tassello in nylon Euro 4, mentre per il fissaggio delle guide si consiglia di usare viti a testa cilindrica con impronta a croce da 4x40 mm con tassello in nylon Euro 6.

Installazione della tenda oscurante o filtrante sul serramento: per il fissaggio delle testate e dei piedini inferiori si consiglia di usare viti a testa cilindrica con impronta a croce da 3x20 mm, mentre per il fissaggio delle guide si consiglia di usare viti a testa cilindrica con impronta a croce da 3x12 mm. In presenza di mattoni forati utilizzare tasselli espansibili con collante chimico di adeguate dimensioni.

Nel caso non siano rispettati i requisiti di resistenza necessari ad un fissaggio in sicurezza, aumentare il numero di tasselli e viti. La scelta delle viti e dei tasselli di ancoraggio, dipende anche dallo stato e dalla natura della struttura muraria/metallica/serramento sulla quale si effettua l'installazione/fissaggio. I tasselli e le viti non sono forniti con il prodotto.

Fare attenzione nella manipolazione del prodotto: gli avvolgitori sono montati con molle cariche.

Le istruzioni di posa in opera, sono descritte nel foglio contenuto nell'imballo. L'eventuale attività di sigillatura sarà eseguita con resina siliconica neutra.

8. MANUTENZIONE

8.1 Manutenzione ordinaria

Data l'alta qualità dei materiali impiegati nella costruzione della zanzariera/tenda, non è prevista alcuna manutenzione ordinaria tranne l'eventuale pulizia del tessuto o della rete per salvaguardarli dalla formazione di muffe causate dal deposito di polveri o altro materiale sugli stessi. Il tessuto o la rete, deve essere controllato visivamente almeno 2 volte all'anno, per quanto concerne la rete, in primavera prima dell'utilizzo per la stagione estiva ed in autunno prima della chiusura invernale. La pulizia del tessuto o della rete può essere effettuata con aspirazione della polvere o, solo per i tessuti in cui è consentito nelle avvertenze del catalogo con il simbolo "LAVABILE", con spugna o panno umido utilizzando acqua tiepida. Fare asciugare il tessuto o la rete dopo la pulizia e prima dell'avvolgimento. Per la pulizia, NON utilizzare solventi ammoniaci-idrocarburi.

ATTENZIONE: la pulizia con scale, trabattelli o altro è riservata a personale specializzato che dovrà eseguire le operazioni nel rispetto delle norme di sicurezza e dovrà utilizzare i dispositivi di protezione individuale quali imbracature di sicurezza con fune di trattenuta (vedi D.Lgs. 81/2008).

8.2 Manutenzione straordinaria

ATTENZIONE: tutte le operazioni di manutenzione straordinaria devono essere effettuate da personale professionalmente qualificato ed addestrato: pertanto è necessario richiedere l'intervento dello specialista.

Vedere le istruzioni di installazione di posa in opera per l'eventuale smontaggio della zanzariera e/o della tenda oscurante o filtrante, o di parti di essa. In presenza di strappi sulla rete o sul tessuto oscurante o filtrante, anche di piccole dimensioni, è necessario provvedere alla loro sostituzione. Usare parti di ricambio originali, pena la decadenza della garanzia.

9. GARANZIA

La garanzia si applica in relazione ai contenuti del D.Lgs. n. 24 del 02.02.2002 e succ.mod.

La garanzia si riconosce sul funzionamento del prodotto e sui materiali che lo compongono, esclusi i danni indiretti. Non vengono coinvolti nel concetto di garanzia eventuali costi sostenuti per raggiungere il luogo dove si trova il prodotto oggetto di garanzia ed eventuali costi di installazione o rimozione.

Per la durata e la validità della garanzia (24/12 mesi a seconda di vendita rispettivamente a privati o ad imprese/professionisti) si faccia riferimento sia al documento fiscale di vendita che all'etichetta di produzione apposta sul prodotto. In ogni caso, per far valere la garanzia, l'acquirente dovrà denunciare per iscritto il difetto di conformità al venditore entro il termine di due mesi dalla data della scoperta, pena la decadenza della garanzia stessa.

9.1 Garanzia Convenzionale

In deroga alle disposizioni di legge, per le produzioni a partire dal 01/01/2016, Bettio Flyscreens srl offre una garanzia convenzionale ai sensi dell'art. 133 del D.Lgs 206/2005 esclusivamente sui componenti in plastica e sulle parti meccaniche dei prodotti.

Le condizioni di questa garanzia convenzionale, riportate di seguito, lasciano impregiudicati i diritti di garanzia previsti dalla legge:

a) Il periodo di validità della presente garanzia convenzionale è di dieci anni e decorre dalla data di produzione indicata sull'etichetta di riconoscimento del prodotto.

b) La presente garanzia convenzionale si riferisce unicamente alla riparazione e/o sostituzione (manodopera inclusa e senza spese) di componenti in plastica e di parti meccaniche dei prodotti. Si intendono escluse tutte le parti in alluminio, la rete/tessuto, tutte le parti elettriche ed elettroniche come motori elettrici, automatismi e interruttori, l'intero pacchetto automazione di Motoscenica® e gli spazzolini. Sono interamente a carico dell'acquirente le spese di smontaggio, montaggio e trasporto presso la nostra sede di Marcon (VE).

c) Nel caso in cui ciò non fosse possibile, effettueremo l'indicata sostituzione e/o riparazione al fine di poter restituire al cliente un prodotto perfettamente funzionante, ed altresì, a nostra discrezione, forniremo un prodotto nuovo con caratteristiche simili a quello precedente, nei limiti di quanto previsto al punto b).

d) Gli interventi in garanzia convenzionale non determinano un'estensione del periodo di garanzia legale.

9.2 Decadimento della Garanzia

- Uso improprio del prodotto in occasione di vento, pioggia, grandine, neve e/o altri eventi combinati. Le tende oscuranti o filtranti sono ad esclusivo uso interno.

- Cedimento della parte dove il prodotto è stato ancorato.

- Manomissione del prodotto; installazione, smontaggio, manutenzione non effettuati da installatore specializzato o non effettuati secondo le norme e le istruzioni di montaggio.

- Mancata manutenzione obbligatoria entro i termini stabiliti.

- Uso di parti di ricambio non originali Bettio Flyscreens srl.

- Rimozione od occultamento dell'etichetta identificativa Bettio Flyscreens srl, per cui la rintracciabilità del prodotto non risulta possibile.

Per altre specifiche esclusioni dalla Garanzia, si fa riferimento alle eventuali note specificate dall'Azienda.

Per qualsiasi controversia, si elegge quale unico foro competente quello di Venezia.

10. IMBALLO MOVIMENTAZIONE E TRASPORTO

La tenda oscurante o filtrante viene imballata con un involucro protettivo di carta cellulosa e con sagome di cartone per proteggere e bloccare l'intelaiatura durante il trasporto. La zanzariera è imballata con film estensibile MDT per proteggere e bloccare l'intelaiatura durante il trasporto, se effettuato con i nostri mezzi o ritirato direttamente dal cliente presso la nostra sede; se invece il trasporto della zanzariera avviene tramite un vettore allora il prodotto viene imballato con film estensibile MDT e poi inserito in scatole di cartone riempite a loro volta con sacchetti d'aria al fine di proteggere e bloccare la struttura durante la movimentazione ed il trasporto. I prodotti Scenica® sono imballati in scatole di cartone. I prodotti Elena, Salsicendi - Laura, Scorrevole - Maya, Scorrevole senza guide a pavimento - Alice, Porta a battente con molla di ritorno, sono sempre imballati in scatole di cartone riempite con sacchetti d'aria per bloccare il prodotto durante il trasporto.

Date le dimensioni e la forma del prodotto, è necessario, oltre la misura in lunghezza di 240 cm, effettuare la movimentazione manuale in due persone.

Non lasciare alla portata dei bambini i materiali d'imballo, possono costituire fonte di pericolo per gli stessi.

11. ELENCO DEI RISCHI

11.1 Installazione: Adottare tutte le precauzioni previste in cantiere con particolare riguardo a quelle riguardanti i rischi di caduta.

11.2 Rischi inerenti l'utilizzo e la normale manutenzione.

Prodotti con molla di richiamo:

a) Velocità di riavvolgimento con pericolo di urto con la barra maniglia

b) Velocità di riavvolgimento con pericolo di urto con il nappino

c) Pericolo di sgancio incontrollato e ambiguità di funzionamento: velocità di riavvolgimento con pericolo di urto con la barra maniglia

d) Pericolo di caduta durante le operazioni di pulizia del telaio, del tessuto o della rete: evitare di sporgersi o farlo solo utilizzando attrezzature adeguate

11.3 Rischi inerenti la manutenzione/riparazione:

a) Pericolo di urto durante le operazioni di carico/scarico della molla

b) Pericolo di non corretto ripristino della zanzariera o della tenda durante il cambio della rete o del tessuto oscurante o filtrante

c) Pericolo derivante dal mancato utilizzo di attrezzature e DPI non marchiati CE

11.4 Pericolo di avvolgimento della catenella attorno al collo dei bambini: la catenella non deve essere posta più in basso di 120 cm, rispetto al pavimento. Utilizzare il tendicatenella di sicurezza fornito con la zanzariera.

11.5 Pericolo di inciampo sulla guida mobile dei prodotti Scenica®: apporre segnaletica di avvertimento

11.6 Pericolo di inciampo sulla guida inferiore della porta con apertura laterale: apporre segnaletica di avvertimento

11.7 Rischi inerenti la dismissione: la dismissione del prodotto deve essere eseguita in base alle norme al momento in vigore

11.8 Il livello di rumore è inferiore a 70 dB(A)

Instructions for use and maintenance

(TRANSLATION OF ORIGINAL INSTRUCTIONS)



Istruzione di montaggio - Instructions for the installation

501

Attacco Frontale - Frontal installation

33 a molla - 33 spring operated

41 a molla - 41 spring operated



1. SCOPE

These instructions are for the use of fitters, maintenance mechanics, owners or users of our flyscreens or blinds. By providing this instrument Bettio Flyscreens srl wishes to provide its customers with the means to use our flyscreens and filter or black-out blinds properly once fitted, in order to optimise their performance. It is therefore advisable to keep these notes to hand so they can be consulted whenever needed. They are in any case extra to the User's Manual and Technical File available from the company.

2. APPLICATION

These instructions are suitably adapted to each of the following models: Scenica®, Lateral without barriers 50 - Scenica®Incasso, Lateral built-in without barriers 50 - MiniScenica®, Lateral without barriers 40 - MiniScenica®In-casso, Lateral built-in without barriers 40 - PicoScenica®, Lateral without barriers 25 - Motoscenica®, Lateral motorised without barriers - Motoscenica®Incasso, Lateral built-in motorised without barriers - Moovica, Vertical motorised - MoovicaIncasso, Vertical motorised built-in - Fox, Spring built-in 46 mm - Delta, Clic-clak spring built-in 50 mm - Sigma, Clic-clak chain built-in 50 mm - Omega, Lateral built-in 50 mm - Zeta, Spring built-in 40 mm - Kappa, Lateral built-in 40 mm with magnet - India, Built-in 50 mm - Africa, Chain built-in 50 mm - Sonia, Traditional spring - Katia, Traditional chain - Alba, Spring telescopic end caps and square box - Lisa, Lateral telescopic end caps and square box - Alfa, Spring radial box with telescopic end caps - Clever, Spring with click-in end caps - Beta, Lateral telescopic end caps and radial box - Gamma, Chain telescopic clic-clak® with radial box - Rosy, Clutched spring clic-clak® end caps and telescopic rails - Giudy, Chain clic-clak® end caps and telescopic rails - Mini, Spring 31 with anti-wind side rail - Flash, Lateral magnet 31 with anti-wind side rail - Revoluxby-Bettio, clic-clak® 40 with anti-wind side rails - Fixed frame, Fixed - Elena, sash insect screen - Laura, Sliding - Maya, Sliding without ground rails - Alice, Hinged door with return spring - Sabbia, 41 spring - Acqua, 33 spring - Terra, 41 chain - Aria, 33 chain.

3. REFERENCES

These instructions have been drawn up considering the products used in normal conditions. They are to be used together with other instructions given directly on the machines, also to inform operators/users of the residual risks inherent in the products.

4. USE

The fitted flyscreen system has the exclusive function of protecting against the intrusion of insects and small animals. The function of filtering systems or black-out blinds is to filter daylight in a given area. Making any other use of the product is considered improper and is therefore prohibited as the relative working conditions are not taken into consideration in the hazard analyses carried out by the manufacturer. For this reason there may be no specific protection against such hazards. Do not lean against the mesh or fabric. Do not release the handle bar until the mesh or fabric is entirely rewound. Close the flyscreen or blind when wind speed reaches 20 km/h.

Improper use exonerates the manufacturer from any liability for possible damage to persons or things. Failure to observe the conditions for use automatically nulls any type of guarantee provided by the manufacturer.

5. OPERATORS' REQUISITES

Anyone above the age of 12 can make normal use of flyscreens and filter or black-out blinds. Installation, repairs and extraordinary maintenance should be carried out by qualified technicians.

6. RECOMMENDATIONS FOR FITTING

With regard to personal safety, fitting must be carried out in observance of Italian Legislative Decree 81/2008 and later amendments and integrations. Under the terms of law, the customer and fitter are both responsible for safety concerns.

Before using folding mobile scaffolds, scaffolding, ladders and personal protective equipment (harnesses, safety belts, gloves, safety shoes, hard hats, etc.) always check their condition and compliance with regulations. Use suitable lifting harnesses.

When there is a team of fitters the work must be coordinated and tasks and responsibilities defined.

Operators shall observe the safety instructions received (Health and Safety Plan).

If the product is to be fitted on storeys above the ground floor, cordon off and attend the area when lifting the product to ensure that no-one is ever under a raised load.

The packing contains instructions for assembly, use, maintenance and warranty; they must be handed over to the end user after the fitter has illustrated them.

7. INSTALLING THE MECHANICAL STRUCTURE

Wrong or bad installation may cause accidents. Read the instructions carefully so that the product is properly fixed and cannot fall out. Check the condition of the structure to which the flyscreen or blind will be anchored/ fixed. The dynamic load the fully unwound flyscreen must bear is that of a 130 km/h wind. Black-out or filter blinds may be fitted to a wall or door/window; the choice of plugs for wall fitting and screws for door/window fitting depends on the type and condition of the wall or door/window.

Fitting black-out or filter blinds to a wall: we advise the use of 3x30mm countersunk head screws with Euro4 nylon rawl plug for securing the bottom shoes and top, and 4x40mm countersunk head screws with Euro6 nylon rawl plug for fixing the rails.

Fitting black-out or filter blinds onto a door or window: we advise the use of 3x20mm countersunk head screws for securing the bottom shoes and top, and 3x12mm countersunk head screws for fixing the rails. Where hollow bricks are involved use expansion rawl plugs with a suitable amount of chemical adhesive.

If the necessary resistance for safe fixing is not ensured, increase the number of rawl plugs and screws. The choice of screws and rawl plugs also depends on the condition and type of the wall/metal/door/window structure onto which the product will be fitted. Plugs and screws are not provided.

Take care when handling the product: the rollers are spring loaded.

Fitting instructions are given on the sheet in the packing. If it is necessary to seal, use neutral silicone resin.

8. MAINTENANCE

8.1 Routine Maintenance

As the materials used in manufacturing our flyscreens/blinds are of top quality, no routine maintenance is necessary apart from occasional cleaning of the fabric or mesh to prevent the formation of mould caused by dust or other matter. Make a visual check of the fabric or mesh at least twice a year; with regard to the mesh, in spring before summer opening and in autumn before winter closing. Use a vacuum cleaner to clean dust off fabric or mesh. If the fabric is marked "WASHABLE" in the catalogue it can be washed with a sponge or cloth soaked in warm water. Dry the fabric or mesh after cleaning and before rewinding. DO NOT use solvents, ammonium or hydrocarbons for cleaning.

WARNING: the use of ladders, folding mobile scaffolds or other is reserved for specialists who will perform cleaning operations according to safety regulations and using personal protection equipment such as safety harnesses with fall arrester ropes (see Italian Legislative Decree 81/2008).

8.2 Extraordinary Maintenance

ATTENTION: all extraordinary maintenance operations must be performed by professionally qualified trained personnel; for this reason hire a specialist.

To dismantle your flyscreen and/or black-out or filter blind, or any part of it, see the fitting instructions. If the mesh or fabric is torn, even slightly, it must be replaced.

The warranty will not be valid if original spare parts are not used.

9. WARRANTY

The warranty is applied as per Italian Legislative Decree No. 24 of 02.02.2002 and later amendments.

The warranty covers the operation of the product and the materials comprising it, excluding indirect damage. The warranty does not cover any costs incurred to reach the location of the product under warranty and any fitting or removal costs.

For duration and validity of the warranty (24/12 months according to whether the sale was to a private individual or company/professional) please refer to the fiscal sales receipt and the label on the product.

In any case, to take advantage of the warranty the purchaser must report the fault in writing to the seller within two months of its occurrence, otherwise the warranty will be null and void.

9.1 Manufacturer's Warranty

Notwithstanding the terms of law, for products manufactured from 01/01/2016 Bettio Flyscreens srl provides a manufacturer's warranty as per art. 133 of Italian Legislative Decree 206/2005 exclusively on the plastic and mechanical parts of the products.

The conditions of this warranty are given below. They do not affect statutory rights:

- Validity of this manufacturer's warranty is ten years from the production date indicated on the product ID label.
- This manufacturer's warranty refers solely to the repair and/or replacement (labour included and without costs) of the plastic and mechanical parts of the products. It excludes all aluminium parts, the mesh/fabric, all electric and electronic parts such as electric motors, automation and switches, the entire Motoscenica® automation package and brushes. The purchaser shall cover the costs for dismantling, assembling and transporting to our premises at Marcon, Italy.
- If this is not possible, we will replace and/or repair as indicated above in order to ensure that the customer has a product in perfect working order. In addition, at our discretion we will provide a new product with similar characteristics to the previous one, within the limits of clause b) above.
- Operations under manufacturer's warranty do not cause an extension of the duration of the statutory warranty.

9.2 Warranty Void

- improper use of the product with wind, rain, hail, snow and/or combinations of such. Black-out or filter blinds are exclusively for indoor use.

- Structural failure of the part to which the product is anchored.

- Manhandling; fitting, dismantling and maintenance not carried out by specialists or not in observance of regulations and assembly instructions.

- Lack of obligatory maintenance within the established terms.

- Use of spare parts not original Bettio Flyscreens srl.

- Removing or obscuring the Bettio Flyscreens srl ID label, impeding product traceability.

For other specific items not covered by the warranty, see any notes indicated by the company.

In the case of controversy, the only competent court is the Court of Venice, Italy.

10. PACKING, HANDLING AND TRANSPORT

Black-out or filter blinds are packed in a protective cellulose paper bag with cardboard shapes to protect and hold the frame in place during transport. Flyscreens are packed in MDT shrink film to protect and hold the frame in place during transport on our vehicles, or collected from our facilities by the customer; if flyscreens are transported by couriers the product is packed in MDT shrink film and then placed in a cardboard box with air-filled bags to protect and hold the structure in place during handling and transport. Scenica® products are packed in cardboard boxes. Elena, Sash insect screen - Laura, Sliding - Maya, Sliding without ground rails - Alice, Hinged door with return spring, are in any case packed in cardboard boxes with air-filled bags to hold the product in place during transport. Given the dimensions and shape of the products, those with a length exceeding 240 cm should be handled by two people.

Keep out of reach of children, packing material can be highly dangerous for them.

11. HAZARDS

11.1 Fitting: adopt all the precautions indicated on the site, paying special attention to the hazard of falling.

11.2 Hazards inherent in use and ordinary maintenance. Products with return spring:

a) Winding speed with hazard of injury by the handle bar

b) Winding speed with hazard of injury by the pull cord

c) Hazard of uncontrolled release and abnormal operation: winding speed with hazard of injury by the handle bar

d) Hazard of falling when cleaning the frame, fabric or mesh; do not lean out unless provided with suitable protective equipment

11.3 Hazards inherent in maintenance/repairs:

a) Hazard of knocks when loading/releasing the spring

b) Hazard of wrong refitting of flyscreens or blinds when changing the mesh, or black-out or filter blind fabric

c) Hazard deriving from not using equipment and personal safety equipment marked with the CE label

11.4 Hazards deriving from the chain winding round children's necks: the chain must not be placed at below 120 cm from the ground. Use the safety chain tensioner provided with the flyscreen.

11.5 Hazard of tripping over the mobile rails of Scenica® products: place a warning sign in view

11.6 Hazard of tripping over the bottom rail for the door with side opening: place a warning sign in view

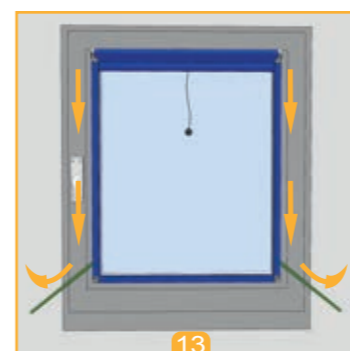
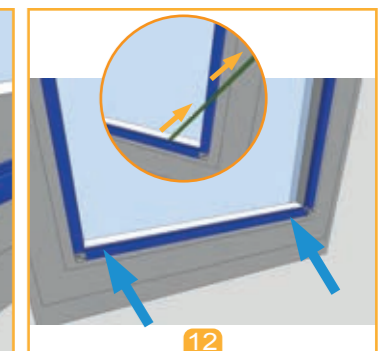
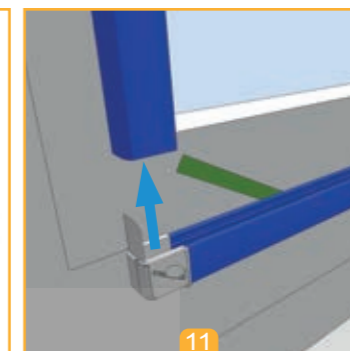
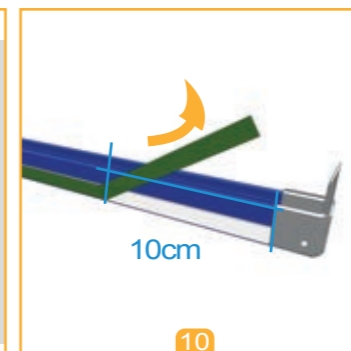
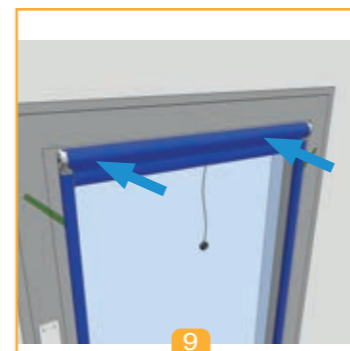
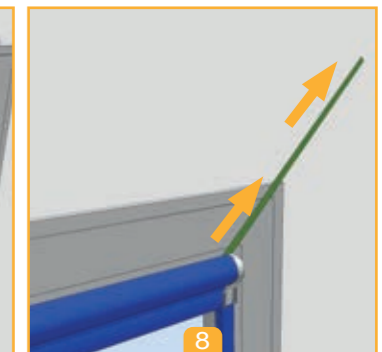
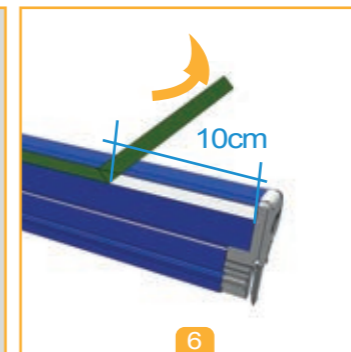
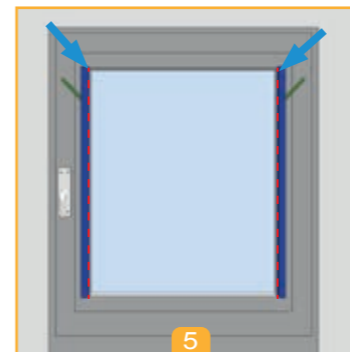
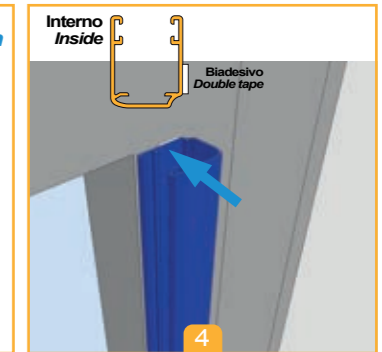
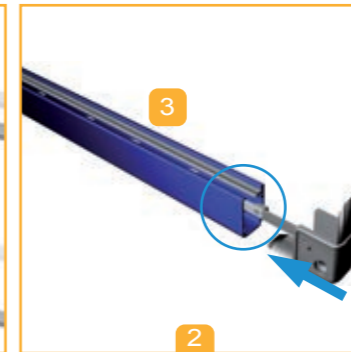
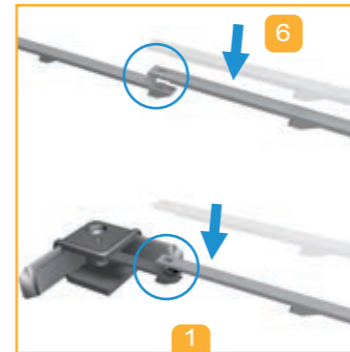
11.7 Hazards arising from decommissioning: the product must be decommissioned in observance of current regulations

11.8 The noise rating is below 70 dB(A)

Distinta - List of profiles and components

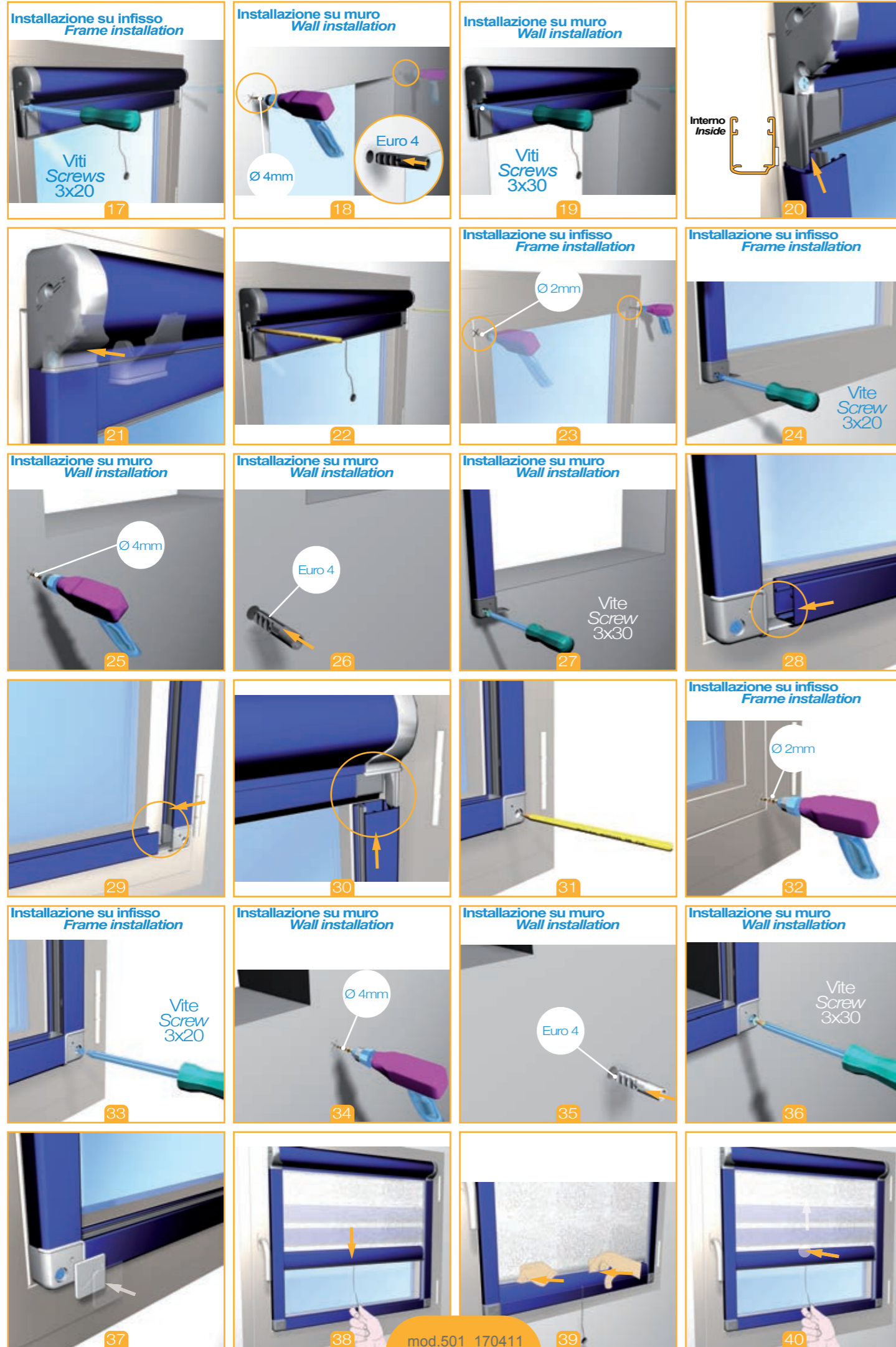


- 1) Un cassonetto completo. A complete casement box.
- 2) Due Guide con uno spazzolino. Two side guides with a single brush.
- 3) Una Guida senza spazzolini. One side guide without brush.
- 4) Una coppia di Adattatori per molla. A pair of adjusting plugs for spring.
- 5) Una coppia di angoli per molla. A pair of shoes for frontal installation spring operated.
- 6) Alcuni agganci intermedi. Some hooks in intermediate position.



Istruzioni d'uso e manutenzione

ISTRUZIONI ORIGINALI



1. SCOPO

Queste istruzioni sono rivolte a chi utilizza la zanzariera o la tenda come installatore, manutentore, proprietario o utente. Con questo strumento la Bettio Flyscreens srl intende fornire al Cliente uno strumento di supporto per un uso più consapevole e corretto dei sistemi di zanzariere e tende filtranti o oscuranti installati, al fine di un'ottimizzazione delle loro prestazioni. E' quindi consigliato per un corretto e vantaggioso utilizzo del sistema tenere disponibili le presenti note ai fini di garantire una rapida consultazione ogni qualvolta le circostanze lo rendano necessario. Esse sono comunque supportate dal Manuale d'Uso e Manutenzione e dal Fascicolo Tecnico disponibili in Azienda.

2. CAMPO DI APPLICAZIONE

Le presenti istruzioni si riferiscono ai seguenti modelli: Sabbia, 41 a molla - Acqua, 33 a molla - Terra, 41 a catena - Aria, 33 a catena, per i quali sono coerentemente adattati i contenuti.

3. RIFERIMENTI

Le presenti istruzioni, sono state redatte tenendo conto delle normali condizioni di uso della macchina al fine di informare, unitamente alle altre istruzioni per l'uso apposte sulla macchina, gli operatori/utilizzatori anche sui rischi residui che la stessa presenta.

4. USI PREVISTI

La funzione del sistema zanzariera installato è esclusivamente quella di dare protezione contro l'intrusione di insetti e piccoli animali negli ambienti da proteggere, mentre la funzione dei sistemi filtranti e oscuranti è esclusivamente quella di filtrare od oscurare un determinato ambiente dalla luce diurna. Ogni impiego diverso da quello indicato deve essere considerato improprio, e pertanto vietato, in quanto le relative condizioni di esercizio non sono state considerate nell'analisi dei rischi condotta dal fabbricante e per i quali potrebbero non essere presenti protezioni specifiche. E' vietato appoggiarsi alla rete o al tessuto. E' vietato lasciare la barra maniglia senza accompagnarla fino al totale riavvolgimento della rete o del tessuto.

Quando la velocità del vento raggiunge i 20 km/h è necessario chiudere la zanzariera o la tenda. L'uso improprio assolve da ogni responsabilità il costruttore stesso, per eventuali danni causati a persone o cose in mancato rispetto delle condizioni d'uso fa decadere automaticamente qualsiasi tipo di garanzia data dal produttore.

5. REQUISITI DELL'OPERATORE

L'uso normale della zanzariera e della tenda filtrante o oscurante, è consentito ad operatori non professionisti purchè di età superiore ad anni 12.

Le operazioni di installazione, riparazione e manutenzione straordinaria, devono essere effettuate da personale tecnico qualificato.

6. RACCOMANDAZIONI PER L'INSTALLAZIONE

L'installazione deve essere eseguita nel pieno rispetto del D.Lgs. 81/2008 e delle successive modifiche e integrazioni, per tutto ciò che attiene la sicurezza delle persone.

Il committente e l'installatore sono rispettivamente responsabili ai sensi della legge vigente, in materia di sicurezza.

E' necessario controllare, prima dell'utilizzo, che trabattelli, ponteggi, scale e tutti i dispositivi di protezione individuale (imbracature, cinghie di sicurezza, guanti, scarpe di sicurezza, elmetti, ecc.), eventualmente utilizzati, siano a norma ed in buono stato. Utilizzare i mezzi d'imbracatura adeguati.

Nel caso gli installatori siano più di uno, è necessario coordinare i lavori, definire i compiti e le responsabilità.

Gli operatori devono comportarsi in conformità alle istruzioni di sicurezza ricevute (POS).

Nel caso in cui il prodotto debba essere montato ad un piano elevato rispetto a quello di terra, è necessario delimitare e presidiare l'area durante la salita al piano del prodotto in modo che nessuno possa trovarsi sotto l'eventuale carico sospeso.

L'imbollo del prodotto contiene le istruzioni di montaggio, d'uso, manutenzione e garanzia: l'installatore deve accertarsi che siano consegnate, previa lettura e commento, all'utilizzatore finale.

7. INSTALLAZIONE DELLA STRUTTURA MECCANICA

Una installazione non corretta può essere causa di infortuni alle persone. Leggere attentamente le istruzioni per un fissaggio corretto del prodotto in modo da evitare rischi di caduta dello stesso.

E' necessario verificare lo stato della struttura sulla quale viene effettuato l'ancoraggio/fissaggio della zanzariera o della tenda. In realtà lo sforzo dinamico cui il telaio dovrà resistere con la zanzariera completamente svolta dal cassonetto, è quello del vento che soffia a 130 km/h.

La tenda oscurante o filtrante può essere installata sul muro o sul serramento: la scelta dei tasselli di ancoraggio per l'installazione sul muro e delle viti di fissaggio per l'installazione sul serramento, è dipendente dal tipo e dallo stato del muro o del serramento.

Installazione della tenda oscurante o filtrante sul muro: per il fissaggio delle testate e dei piedini inferiori si consiglia di usare viti a testa cilindrica con impronta a croce da 3x30 mm con tassello in nylon Euro 4, mentre per il fissaggio delle guide si consiglia di usare viti a testa cilindrica con impronta a croce da 4x40 mm con tassello in nylon Euro 6.

Installazione della tenda oscurante o filtrante sul serramento: per il fissaggio delle testate e dei piedini inferiori si consiglia di usare viti a testa cilindrica con impronta a croce da 3x20 mm, mentre per il fissaggio delle guide si consiglia di usare viti a testa cilindrica con impronta a croce da 3x12 mm. In presenza di mattoni forati utilizzare tasselli espansibili con collante chimico di adeguate dimensioni.

Nel caso non siano rispettati i requisiti di resistenza necessari ad un fissaggio in sicurezza, aumentare il numero di tasselli e viti. La scelta delle viti e dei tasselli di ancoraggio, dipende anche dallo stato e dalla natura della struttura muraria/metallica/serramento sulla quale si effettua l'installazione/fissaggio. I tasselli e le viti non sono forniti con il prodotto.

Fare attenzione nella manipolazione del prodotto: gli avvolgitori sono montati con molle cariche.

Le istruzioni di posa in opera, sono descritte nel foglio contenuto nell'imbollo. L'eventuale attività di sigillatura sarà eseguita con resina siliconica neutra.

8. MANUTENZIONE

8.1 Manutenzione ordinaria

Data l'alta qualità dei materiali impiegati nella costruzione della zanzariera/tenda, non è prevista alcuna manutenzione ordinaria tranne l'eventuale pulizia del tessuto o della rete per salvaguardarli dalla formazione di muffe causate dal deposito di polveri o altro materiale sugli stessi. Il tessuto o la rete, deve essere controllato visivamente almeno 2 volte all'anno; per quanto concerne la rete, in primavera prima dell'utilizzo per la stagione estiva ed in autunno prima della chiusura invernale. La pulizia del tessuto o della rete può essere effettuata con aspirazione della polvere o, solo per i tessuti in cui è consentito nelle avvertenze del catalogo con il simbolo "LAVABILE", con spugna o panno umido utilizzando acqua tiepida. Fare asciugare il tessuto o la rete dopo la pulizia e prima dell'avvolgimento. Per la pulizia, NON utilizzare solventi-ammoniaca-idrocarburi.

ATTENZIONE: la pulizia con scale, trabattelli o altro è riservata a personale specializzato che dovrà eseguire le operazioni nel rispetto delle norme di sicurezza e dovrà utilizzare i dispositivi di protezione individuale quali imbracature di sicurezza con fune di trattenuta (vedi D.Lgs. 81/2008).

8.2 Manutenzione straordinaria

ATTENZIONE: tutte le operazioni di manutenzione straordinaria devono essere effettuate da personale professionalmente qualificato ed addestrato; pertanto è necessario richiedere l'intervento dello specialista. Vedere le istruzioni di installazione di posa in opera per l'eventuale smontaggio della zanzariera e/o della tenda oscurante o filtrante, o di parti di essa. In presenza di strappi sulla rete o sul tessuto oscurante o filtrante, anche di piccole dimensioni, è necessario provvedere alla loro sostituzione. Usare parti di ricambio originali, pena la decadenza della garanzia.

9. GARANZIA

La garanzia si applica in relazione ai contenuti del D.Lgs. n. 24 del 02.02.2002 e succ.mod.

La garanzia si riconosce sul funzionamento del prodotto e sui materiali che lo compongono, esclusi i danni indiretti. Non vengono coinvolti nel concetto di garanzia eventuali costi sostenuti per raggiungere il luogo dove si trova il prodotto oggetto di garanzia ed eventuali costi di installazione o rimozione.

Per la durata e la validità della garanzia (24/12 mesi a seconda di vendita rispettivamente a privati o ad imprese/professionisti) si faccia riferimento sia al documento fiscale di vendita che all'etichetta di produzione apposta sul prodotto. In ogni caso, per far valere la garanzia, l'acquirente dovrà denunciare per iscritto il difetto di conformità al venditore entro il termine di due mesi dalla data della scoperta, pena la decadenza della garanzia stessa.

9.1 Garanzia Convenzionale

In deroga alle disposizioni di legge, per le produzioni a partire dal 01/01/2016, Bettio Flyscreens srl offre una garanzia convenzionale ai sensi dell'art. 133 del D.Lgs. 206/2005 esclusivamente sui componenti in plastica e sulle parti meccaniche dei prodotti.

Le condizioni di questa garanzia convenzionale, riportate di seguito, lasciano impregiudicati i diritti di garanzia previsti dalla legge:

a) Il periodo di validità della presente garanzia convenzionale è di dieci anni e decorre dalla data di produzione indicata sull'etichetta di riconoscimento del prodotto.

b) La presente garanzia convenzionale si riferisce unicamente alla riparazione e/o sostituzione (manodopera inclusa e senza spese) di componenti in plastica e di parti meccaniche dei prodotti. Si intendono escluse tutte le parti in alluminio, la rete/tessuto, tutte le parti elettriche ed elettroniche come motori elettrici, automatismi e interruttori, l'intero pacchetto automazione di Motoscenica® e gli spazzolini. Sono interamente a carico dell'acquirente le spese di smontaggio, montaggio e trasporto presso la nostra sede di Marcon (VE).

c) Nel caso in cui ciò non fosse possibile, effettueremo l'indicata sostituzione e/o riparazione al fine di poter restituire al cliente un prodotto perfettamente funzionante, ed altresì, a nostra discrezione, forniremo un prodotto nuovo con caratteristiche simili a quello precedente, nei limiti di quanto previsto al punto b).

d) Gli interventi in garanzia convenzionale non determinano un'estensione del periodo di garanzia legale.

9.2 Decadimento della Garanzia.

- Uso improprio del prodotto in occasione di vento, pioggia, grandine, neve e/o altri eventi combinati. Le tende oscuranti o filtranti sono ad esclusivo uso interno.

- Cedimento della parte dove il prodotto è stato ancorato.

- Manomissione del prodotto; installazione, smontaggio, manutenzione non effettuati da installatore specializzato o non effettuati secondo le norme e le istruzioni di montaggio.

- Mancata manutenzione obbligatoria entro i termini stabiliti.

- Uso di parti di ricambio non originali Bettio Flyscreens srl

- Rimozione od occultamento dell'etichetta identificativa Bettio Flyscreens srl, per cui la rintracciabilità del prodotto non risulta possibile.

Per altre specifiche esclusioni dalla Garanzia, si fa riferimento alle eventuali note specificate dall'Azienda.

Per qualsiasi controversia, si elegge quale unico foro competente quello di Venezia.

10. IMBALLO MOVIMENTAZIONE E TRASPORTO

La tenda oscurante o filtrante viene imballata con un involucro protettivo di carta cellulosa e con sagome di cartone per proteggere e bloccare l'intelaiatura durante il trasporto. La zanzariera è imballata con film estensibile MDT per proteggere e bloccare l'intelaiatura durante il trasporto, se effettuato con i nostri mezzi o ritirato direttamente dal cliente presso la nostra sede; se invece il trasporto della zanzariera avviene tramite un vettore allora il prodotto viene imballato con film estensibile MDT e poi inserito in scatole di cartone riempite a loro volta con sacchetti d'aria al fine di proteggere e bloccare la struttura durante la movimentazione ed il trasporto. I prodotti Scenica® sono imballati in scatole di cartone. I prodotti Elena, Saliscendi - Laura, Scorrevole - Maya, Scorrevole senza guide a pavimento - Alice, Porta a battente con molla di ritorno, sono sempre imballati in scatole di cartone riempite con sacchetti d'aria per bloccare il prodotto durante il trasporto.

Date le dimensioni e la forma del prodotto, è necessario, oltre la misura in lunghezza di 240 cm, effettuare la movimentazione manuale in due persone.

Non lasciare alla portata dei bambini i materiali d'imballo, possono costituire fonte di pericolo per gli stessi.

11. ELENCO DEI RISCHI

11.1 Installazione: Adottare tutte le precauzioni previste in cantiere con particolare riguardo a quelle riguardanti i rischi di caduta.

11.2 Rischi inerenti l'utilizzo e la normale manutenzione.

Prodotti con molla di richiamo:

a) Velocità di riavvolgimento con pericolo di urto con la barra maniglia

b) Velocità di riavvolgimento con pericolo di urto con il nappino

c) Pericolo di sgancio incontrollato e ambiguità di funzionamento: velocità di riavvolgimento con pericolo di urto con la barra maniglia

d) Pericolo di caduta durante le operazioni di pulizia del telaio, del tessuto o della rete: evitare di sporgersi o farlo solo utilizzando attrezzature adeguate

11.3 Rischi inerenti la manutenzione/riparazione:

a) Pericolo di urto durante le operazioni di carico/scarico della molla

b) Pericolo di non corretto ripristino della zanzariera o della tenda durante il cambio della rete o del tessuto oscurante o filtrante

c) Pericolo derivante dal mancato utilizzo di attrezzature e DPI non marchiati CE

11.4 Pericolo di avvolgimento della catenella attorno al collo dei bambini: la catenella non deve essere posta più in basso di 120 cm, rispetto al pavimento. Utilizzare il tendicatena di sicurezza fornito con la zanzariera.

11.5 Pericolo di inciampo sulla guida mobile dei prodotti Scenica®: apporre segnaletica di avvertimento

11.6 Pericolo di inciampo sulla guida inferiore della porta con apertura laterale: apporre segnaletica di avvertimento

11.7 Rischi inerenti la dismissione: la dismissione del prodotto deve essere eseguita in base alle norme al momento in vigore

11.8 Il livello di rumore è inferiore a 70 dB(A)

Instructions for use and maintenance

(TRANSLATION OF ORIGINAL INSTRUCTIONS)



Istruzione di montaggio - Instructions for the installation

502

33 a catena - 33 chain operated
41 a catena - 41 chain operated



1. SCOPE
These instructions are for the use of fitters, maintenance mechanics, owners or users of our flyscreens or blinds.
By providing this instrument Bettio Flyscreens srl wishes to provide its customers with the means to use our flyscreens and filter or black-out blinds properly once fitted, in order to optimise their performance.
It is therefore advisable to keep these notes to hand so they can be consulted whenever needed. They are in any case extra to the User's Manual and Technical File available from the company.

2. APPLICATION
These instructions are suitably adapted to each of the following models: Scenica®, Lateral without barriers 50 - Scenica®Incasso, Lateral built-in without barriers 50 - MiniScenica®, Lateral without barriers 40 - MiniScenica®Incasso, Lateral built-in without barriers 40 - PicoScenica®, Lateral without barriers 25 - Motoscenica®, Lateral motorised without barriers - Motoscenica®Incasso, Lateral built-in motorised without barriers - Moovica, Vertical motorised - MoovicaIncasso, Vertical motorised built-in - Fox, Spring built-in 46 mm - Delta, Clic-clak spring built-in 50 mm - Sigma, Clic-clak chain built-in 50 mm - Omega, Lateral built-in 50 mm - Zeta, Spring built-in 40 mm - Kappa, Lateral built-in 40 mm with magnet - India, Built-in 50 mm - Africa, Chain built-in 50 mm - Sonia, Traditional spring - Katia, Traditional chain - Alba, Spring telescopic end caps and square box - Lisa, Lateral telescopic end caps and square box - Alfa, Spring radial box with telescopic end caps - Clever, Spring with click-in end caps - Beta, Lateral telescopic end caps and radial box - Gamma, Chain telescopic clic-clak® with radial box - Rosy, Clutched spring clic-clak® end caps and telescopic rails - Glady, Chain clic-clak® end caps and telescopic rails - Mini, Spring 31 with anti-wind side rail - Flash, Lateral magnet 31 with anti-wind side rail - Revoluxy/Bettio, clic-clak® 40 with anti-wind side rails - Fixed frame, Fixed - Elena, sash insect screen - Laura, Sliding - Maya, Sliding without ground rails - Alice, Hinged door with return spring - Sabbia, 41 spring - Acqua, 33 spring - Terra, 41 chain - Aria, 33 chain.

3. REFERENCES
These instructions have been drawn up considering the products used in normal conditions. They are to be used together with other instructions given directly on the machines, also to inform operators/users of the residual risks inherent in the products.

4. USE
The fitted flyscreen system has the exclusive function of protecting against the intrusion of insects and small animals. The function of filtering systems or black-out blinds is to filter daylight in a given area. Making any other use of the product is considered improper and is therefore prohibited as the relative working conditions are not taken into consideration in the hazard analyses carried out by the manufacturer. For this reason there may be no specific protection against such hazards. Do not lean against the mesh or fabric. Do not release the handle bar until the mesh or fabric is entirely rewound. Close the flyscreen or blind when wind speed reaches 20 km/hr.
Improper use exonerates the manufacturer from any liability for possible damage to persons or things.
Failure to observe the conditions for use automatically nulls any type of guarantee provided by the manufacturer.

5. OPERATORS' REQUISITES
Anyone above the age of 12 can make normal use of flyscreens and filter or black-out blinds. Installation, repairs and extraordinary maintenance should be carried out by qualified technicians.

6. RECOMMENDATIONS FOR FITTING
With regard to personal safety, fitting must be carried out in observance of Italian Legislative Decree 81/2008 and later amendments and integrations. Under the terms of law, the customer and fitter are both responsible for safety concerns.

Before using folding mobile scaffolds, scaffolding, ladders and personal protective equipment (harnesses, safety belts, gloves, safety shoes, hard hats, etc.) always check their condition and compliance with regulations. Use suitable lifting harnesses.

When there is a team of fitters the work must be coordinated and tasks and responsibilities defined.

Operators shall observe the safety instructions received (Health and Safety Plan).

If the product is to be fitted on storeys above the ground floor, cordon off and attend the area when lifting the product to ensure that no-one is ever under a raised load.

The packing contains instructions for assembly, use, maintenance and warranty; they must be handed over to the end user after the fitter has illustrated them.

7. INSTALLING THE MECHANICAL STRUCTURE

Wrong or bad installation may cause accidents. Read the instructions carefully so that the product is properly fixed and cannot fall out.
Check the condition of the structure to which the flyscreen or blind will be anchored/fixed. The dynamic load the fully unwound flyscreen must bear is that of a 130 km/hr wind.
Black-out or filter blinds may be fitted to a wall or door/window; the choice of plugs for wall fitting and screws for door/window fitting depends on the type and condition of the wall or door/window.
Fitting black-out or filter blinds to a wall: we advise the use of 3x30mm countersunk head screws with Euro4 nylon rawl plug for securing the bottom shoes and top, and 4x40mm countersunk head screws with Euro6 nylon rawl plug for fixing the rails.

Fitting black-out or filter blinds onto a door or window: we advise the use of 3x20mm countersunk head screws for securing the bottom shoes and top, and 3x12mm countersunk head screws for fixing the rails. Where hollow bricks are involved use expansion rawl plugs with a suitable amount of chemical adhesive.

If the necessary resistance for safe fixing is not ensured, increase the number of rawl plugs and screws. The choice of screws and rawl plugs also depends on the condition and type of the wall/metal/door/window structure onto which the product will be fitted. Plugs and screws are not provided.
Take care when handling the product: the rollers are spring loaded.

Fitting instructions are given on the sheet in the packing. If it is necessary to seal, use neutral silicone resin.

8. MAINTENANCE

8.1 Routine Maintenance

As the materials used in manufacturing our flyscreens/blinds are of top quality, no routine maintenance is necessary apart from occasional cleaning of the fabric or mesh to prevent the formation of mould caused by dust or other matter. Make a visual check of the fabric or mesh at least twice a year, with regard to the mesh, in spring before summer opening and in autumn before winter closing. Use a vacuum cleaner to clean dust off fabric or mesh. If the fabric is marked "WASHABLE" in the catalogue it can be washed with a sponge or cloth soaked in warm water. Dry the fabric or mesh after cleaning and before rewinding. DO NOT use solvents, ammonium or hydrocarbons for cleaning.

WARNING: the use of ladders, folding mobile scaffolds or other is reserved for specialists who will perform cleaning operations according to safety regulations and using personal protection equipment such as safety harnesses with fall arrester ropes (see Italian Legislative Decree 81/2008).

8.2 Extraordinary Maintenance

ATTENTION: all extraordinary maintenance operations must be performed by professionally qualified trained personnel: for this reason hire a specialist.

To dismantle your flyscreen and/or black-out or filter blind, or any part of it, see the fitting instructions. If the mesh or fabric is torn, even slightly, it must be replaced.

The warranty will not be valid if original spare parts are not used.

9. WARRANTY

The warranty is applied as per Italian Legislative Decree No. 24 of 02.02.2002 and later amendments.

The warranty covers the operation of the product and the materials comprising it, excluding indirect damage. The warranty does not cover any costs incurred to reach the location of the product under warranty and any fitting or removal costs.

For duration and validity of the warranty (24/12 months according to whether the sale was to a private individual or company/professional) please refer to the fiscal sales receipt and the label on the product. In any case, to take advantage of the warranty the purchaser must report the fault in writing to the seller within two months of its occurrence, otherwise the warranty will be null and void.

9.1 Manufacturer's Warranty

Notwithstanding the terms of law, for products manufactured from 01/01/2016 Bettio Flyscreens srl provides a manufacturer's warranty as per art. 133 of Italian Legislative Decree 206/2005 exclusively on the plastic and mechanical parts of the products.

The conditions of this warranty are given below. They do not affect statutory rights:

a) Validity of this manufacturer's warranty is ten years from the production date indicated on the product ID label.
b) This manufacturer's warranty refers solely to the repair and/or replacement (labour included and without costs) of the plastic and mechanical parts of the products. It excludes all aluminium parts, the mesh/fabric, all electric and electronic parts such as electric motors, automation and switches, the entire Motoscenica® automation package and brushes. The purchaser shall cover the costs for dismantling, assembling and transporting to our premises at Marcon, Italy.

c) If this is not possible, we will replace and/or repair as indicated above in order to ensure that the customer has a product in perfect working order. In addition, at our discretion we will provide a new product with similar characteristics to the previous one, within the limits of clause b) above.

d) Operations under manufacturer's warranty do not cause an extension of the duration of the statutory warranty.

9.2 Warranty Void

- Improper use of the product with wind, rain, hail, snow and/or combinations of such. Black-out or filter blinds are exclusively for indoor use.

- Structural failure of the part to which the product is anchored.

- Manhandling, fitting, dismantling and maintenance not carried out by specialists or not in observance of regulations and assembly instructions.

- Lack of obligatory maintenance within the established terms.

- Use of spare parts not original Bettio Flyscreens srl.

- Removing or obscuring the Bettio Flyscreens srl ID label, impeding product traceability.

For other specific items not covered by the warranty, see any notes indicated by the company.

In the case of controversy, the only competent court is the Court of Venice, Italy.

10. PACKING, HANDLING AND TRANSPORT

Black-out or filter blinds are packed in a protective cellulose paper bag with cardboard shapes to protect and hold the frame in place during transport. Flyscreens are packed in MDT shrink film to protect and hold the frame in place during transport on our vehicles, or collected from our facilities by the customer; if flyscreens are transported by couriers the product is packed in MDT shrink film and then placed in a cardboard box with air-filled bags to protect and hold the structure in place during handling and transport. Scenica® products are packed in cardboard boxes. Elena, Sash insect screen - Laura, Sliding - Maya, Sliding without ground rails - Alice, Hinged door with return spring, are in any case packed in cardboard boxes with air-filled bags to hold the product in place during transport.

Given the dimensions and shape of the products, those with a length exceeding 240 cm should be handled by two people.

Keep out of reach of children, packing material can be highly dangerous for them.

11. HAZARDS

11.1 Fitting: adopt all the precautions indicated on the site, paying special attention to the hazard of falling.

11.2 Hazards inherent in use and ordinary maintenance. Products with return spring:

a) Winding speed with hazard of injury by the handle bar

b) Winding speed with hazard of injury by the pull cord

c) Hazard of uncontrolled release and abnormal operation: winding speed with hazard of injury by the handle bar

d) Hazard of falling when cleaning the frame, fabric or mesh: do not lean out unless provided with suitable protective equipment

11.3 Hazards inherent in maintenance/repairs:

a) Hazard of knocks when loading/releasing the spring

b) Hazard of wrong refitting of flyscreens or blinds when changing the mesh, or black-out or filter blind fabric

c) Hazard deriving from not using equipment and personal safety equipment marked with the CE label

11.4 Hazards deriving from the chain winding round children's necks: the chain must not be placed at below 120 cm from the ground. Use the safety chain tensioner provided with the flyscreen.

11.5 Hazard of tripping over the mobile rails of Scenica® products: place a warning sign in view

11.6 Hazard of tripping over the bottom rail for the door with side opening: place a warning sign in view

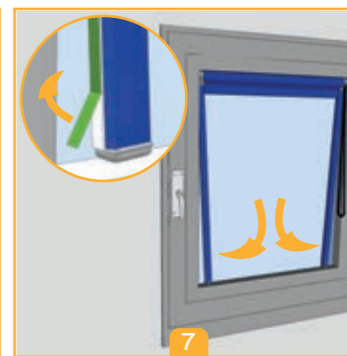
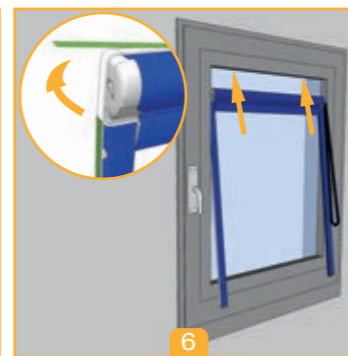
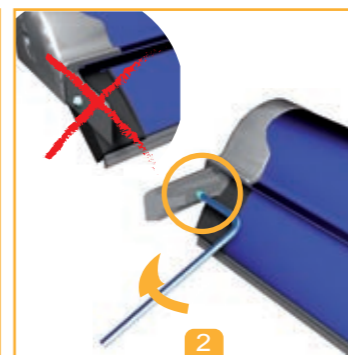
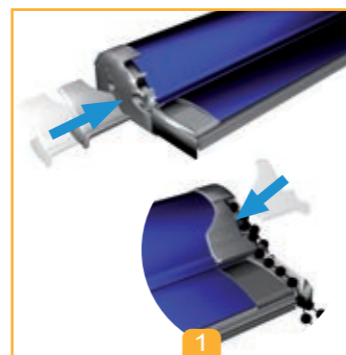
11.7 Hazards arising from decommissioning: the product must be decommissioned in observance of current regulations

11.8 The noise rating is below 70 dB(A)

Distinta - List of profiles and components



- 1) Un cassonetto completo. A complete casement box.
- 2) Due Guide con spazzolini. Two side guides with brush.
- 3) Una coppia Adattatore catena. A pair of adjusting plugs for chain.
- 4) Una coppia di Piedini per catena. A pair of shoes for chain.
- 5) Due grani e una chiave a brugola. Two setscrews and an hexagonal key.
- 6) Un "Ferma catena a muro". A wall chain stopper.
- 7) Un Giunto catena. A chain joint.
- 8) Un Fine corsa. A chain stop.



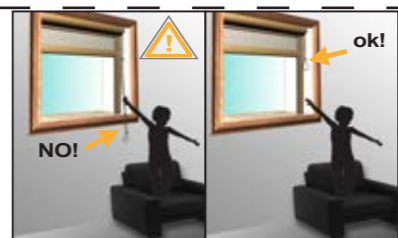
Istruzioni d'uso e manutenzione

ISTRUZIONI ORIGINALI



PER LA VOSTRA SICUREZZA!
Pericolo di strangolamento!
Usare sempre il ferma catena in dotazione installandolo ad un'altezza di sicurezza.

FOR YOUR SAFETY!
Risk of strangulation!
Always use the supplied chain stop installing it at a safe height.



1. SCOPO
Queste istruzioni sono rivolte a chi utilizza la zanzariera o la tenda come installatore, manutentore, proprietario o utente. Con questo strumento la Bettio Flyscreens srl intende fornire al Cliente uno strumento di supporto per un uso più consapevole e corretto dei sistemi di zanzariere e tende filtranti o oscuranti installati, al fine di un'ottimizzazione delle loro prestazioni. E' quindi consigliato per un corretto e vantaggioso utilizzo del sistema tenere disponibili le presenti note ai fini di garantire una rapida consultazione ogni qualvolta le circostanze lo rendano necessario. Esse sono comunque supportate dal Manuale d'Uso e Manutenzione e dal Fascicolo Tecnico disponibili in Azienda.

2. CAMPO DI APPLICAZIONE
Le presenti istruzioni si riferiscono ai seguenti modelli: Sabbia, 41 a molla - Acqua, 33 a molla - Terra, 41 a catena - Aria, 33 a catena, per i quali sono coerentemente adattati i contenuti.

3. RIFERIMENTI
Le presenti istruzioni, sono state redatte tenendo conto delle normali condizioni di uso della macchina al fine di informare, unitamente alle altre istruzioni per l'uso apposte sulla macchina, gli operatori/utizzatori anche sui rischi residui che la stessa presenta.

4. USI PREVISTI

La funzione del sistema zanzariera installato è esclusivamente quella di dare protezione contro l'intrusione di insetti e piccoli animali negli ambienti da proteggere, mentre la funzione dei sistemi filtranti e oscuranti è esclusivamente quella di filtrare od oscurare un determinato ambiente dalla luce diurna. Ogni impiego diverso da quello indicato deve essere considerato improprio, e pertanto vietato, in quanto le relative condizioni di esercizio non sono state considerate nell'analisi dei rischi condotta dal fabbricante e per i quali potrebbero non essere presenti protezioni specifiche. E' vietato appoggiarsi alla rete o al tessuto. E' vietato lasciare la barra maniglia senza accompagnarla fino al totale avvolgimento della rete o del tessuto.

Quando la velocità del vento raggiunge i 20 km/h è necessario chiudere la zanzariera o la tenda. L'uso improprio assolve da ogni responsabilità il costruttore stesso, per eventuali danni causati a persone o cose. Il mancato rispetto delle condizioni d'uso fa decadere automaticamente qualsiasi tipo di garanzia data dal produttore.

5. REQUISITI DELL'OPERATORE
L'uso normale della zanzariera e della tenda filtrante o oscurante, è consentito ad operatori non professionisti purchè di età superiore ad anni 12. Le operazioni di installazione, riparazione e manutenzione straordinaria, devono essere effettuate da personale tecnico qualificato.

6. RACCOMANDAZIONI PER L'INSTALLAZIONE
L'installazione deve essere eseguita nel pieno rispetto del D.Lgs. 81/2008 e delle successive modifiche e integrazioni, per tutto ciò che attiene la sicurezza delle persone. Il committente e l'installatore sono rispettivamente responsabili ai sensi della legge vigente, in materia di sicurezza.

E' necessario controllare, prima dell'utilizzo, che trabattelli, ponteggi, scale e tutti i dispositivi di protezione individuale (imbracature, cinghie di sicurezza, guanti, scarpe di sicurezza, elmetti, ecc.), eventualmente utilizzati, siano a norma ed in buono stato. Utilizzare i mezzi d'imbracatura adeguati.

Nel caso gli installatori siano più di uno, è necessario coordinare i lavori, definire i compiti e le responsabilità.

Gli operatori devono comportarsi in conformità alle istruzioni di sicurezza ricevute (POS).

Nel caso in cui il prodotto debba essere montato ad un piano elevato rispetto a quello di terra, è necessario delimitare e presidiare l'area durante la salita al piano del prodotto in modo che nessuno possa trovarsi sotto l'eventuale carico sospeso.

L'imballo del prodotto contiene le istruzioni di montaggio, d'uso, manutenzione e garanzia: l'installatore deve accertarsi che siano consegnate, previa lettura e commento, all'utilizzatore finale.

7. INSTALLAZIONE DELLA STRUTTURA MECCANICA
Una installazione non corretta può essere causa di infortuni alle persone. Leggere attentamente le istruzioni per un fissaggio corretto del prodotto in modo da evitare rischi di caduta dello stesso. E' necessario verificare lo stato della struttura sulla quale viene effettuato l'ancoraggio/fissaggio della zanzariera o della tenda. In realtà lo sforzo dinamico cui il telaio dovrà resistere con la zanzariera completamente svolta dal cassonetto, è quello del vento che soffiava a 130 km/h.

La tenda oscurante o filtrante può essere installata sul muro o sul serramento: la scelta dei tasselli di ancoraggio per l'installazione sul muro e delle viti di fissaggio per l'installazione sul serramento, è dipendente dal tipo e dallo stato del muro o del serramento.

Installazione della tenda oscurante o filtrante sul muro: per il fissaggio delle testate e dei piedini inferiori si consiglia di usare viti a testa cilindrica con impronta a croce da 3x30 mm con tassello in nylon Euro 4, mentre per il fissaggio delle guide si consiglia di usare viti a testa cilindrica con impronta a croce da 4x40 mm con tassello in nylon Euro 6.

Installazione della tenda oscurante o filtrante sul serramento: per il fissaggio delle testate e dei piedini inferiori si consiglia di usare viti a testa cilindrica con impronta a croce da 3x20 mm, mentre per il fissaggio delle guide si consiglia di usare viti a testa cilindrica con impronta a croce da 3x12 mm. In presenza di mattoni forati utilizzare tasselli espansibili con collante chimico di adeguate dimensioni.

Nel caso non siano rispettati i requisiti di resistenza necessari ad un fissaggio in sicurezza, aumentare il numero di tasselli e viti. La scelta delle viti e dei tasselli di ancoraggio, dipende anche dallo stato e dalla natura della struttura muraria/metallica/serramento sulla quale si effettua l'installazione/fissaggio. I tasselli e le viti non sono forniti con il prodotto.

Fare attenzione nella manipolazione del prodotto: gli avvolgitori sono montati con molle cariche.

Le istruzioni di posa in opera, sono descritte nel foglio contenuto nell'imballo. L'eventuale attività di sigillatura sarà eseguita con resina siliconica neutra.

8. MANUTENZIONE

8.1 Manutenzione ordinaria
Data l'alta qualità dei materiali impiegati nella costruzione della zanzariera/tenda, non è prevista alcuna manutenzione ordinaria tranne l'eventuale pulizia del tessuto o della rete per salvaguardarli dalla formazione di muffe causate dal deposito di polveri o altro materiale sugli stessi. Il tessuto o la rete, deve essere controllato visivamente almeno 2 volte all'anno; per quanto concerne la rete, in primavera prima dell'utilizzo per la stagione estiva ed in autunno prima della chiusura invernale. La pulizia del tessuto o della rete può essere effettuata con aspirazione della polvere o, solo per i tessuti in cui è consentito nelle avvertenze del catalogo con il simbolo "LAVABILE", con spugna o panno umido utilizzando acqua tiepida. Fare asciugare il tessuto o la rete dopo la pulizia e prima dell'avvolgimento. Per la pulizia, NON utilizzare solventi-ammoniaca-idrocarburi.

ATTENZIONE: la pulizia con scale, trabattelli o altro è riservata a personale specializzato che dovrà eseguire le operazioni nel rispetto delle norme di sicurezza e dovrà utilizzare i dispositivi di protezione individuale quali imbracature di sicurezza con fune di trattenuta (vedi D.Lgs. 81/2008).

8.2 Manutenzione straordinaria

ATTENZIONE: tutte le operazioni di manutenzione straordinaria devono essere effettuate da personale professionalmente qualificato ed addestrato: pertanto è necessario richiedere l'intervento dello specialista.

Vedere le istruzioni di installazione di posa in opera per l'eventuale smontaggio della zanzariera e/o della tenda oscurante o filtrante, o di parti di essa. In presenza di strappi sulla rete o sul tessuto oscurante o filtrante, anche di piccole dimensioni, è necessario provvedere alla loro sostituzione. Usare parti di ricambio originali, pena la decadenza della garanzia.

9. GARANZIA

La garanzia si applica in relazione ai contenuti del D.Lgs. n. 24 del 02.02.2002 e succ.mod. La garanzia si riconosce sul funzionamento del prodotto e sui materiali che lo compongono, esclusi i danni indiretti. Non vengono coinvolti nel concetto di garanzia eventuali costi sostenuti per raggiungere il luogo dove si trova il prodotto oggetto di garanzia ed eventuali costi di installazione o rimozione.

Per la durata e la validità della garanzia (24/12 mesi a seconda di vendita rispettivamente a privati o ad imprese/professionisti) si faccia riferimento sia al documento fiscale di vendita che all'etichetta di produzione apposta sul prodotto. In ogni caso, per far valere la garanzia, l'acquirente dovrà denunciare per iscritto il difetto di conformità al venditore entro il termine di due mesi dalla data della scoperta, pena la decadenza della garanzia stessa.

9.1 Garanzia Convenzionale
In deroga alle disposizioni di legge, per le produzioni a partire dal 01/01/2016, Bettio Flyscreens srl offre una garanzia convenzionale ai sensi dell'art. 133 del D.Lgs 206/2005 esclusivamente sui componenti in plastica e sulle parti meccaniche dei prodotti.

Le condizioni di questa garanzia convenzionale, riportate di seguito, lasciano impregiudicati i diritti di garanzia previsti dalla legge:

a) Il periodo di validità della presente garanzia convenzionale è di dieci anni e decorre dalla data di produzione indicata sull'etichetta di riconoscimento del prodotto.

b) La presente garanzia convenzionale si riferisce unicamente alla riparazione (e/o sostituzione (manodopera inclusa e senza spese) di componenti in plastica e di parti meccaniche dei prodotti. Si intendono escluse tutte le parti in alluminio, la rete/tessuto, tutte le parti elettriche ed elettroniche come motori elettrici, automatismi e interruttori, l'intero pacchetto automazione di Motoscenica® e gli spazzolini. Sono interamente a carico dell'acquirente le spese di smontaggio, montaggio e trasporto presso la nostra sede di Marcon (VE).

c) Nel caso in cui ciò non fosse possibile, effettueremo l'indicata sostituzione e/o riparazione al fine di poter restituire al cliente un prodotto perfettamente funzionante, ed altresì, a nostra discrezione, forniremo un prodotto nuovo con caratteristiche simili a quello precedente, nei limiti di quanto previsto al punto b).

d) Gli interventi in garanzia convenzionale non determinano un'estensione del periodo di garanzia legale.

9.2 Decadimento della Garanzia
- Uso improprio del prodotto in occasione di vento, pioggia, grandine, neve e/o altri eventi combinati. Le tende oscuranti o filtranti sono ad esclusivo uso interno.
- Cedimento della parte dove il prodotto è stato ancorato.
- Manomissione del prodotto; installazione, smontaggio, manutenzione non effettuati da installatore specializzato o non effettuati secondo le norme e le istruzioni di montaggio.
- Mancata manutenzione obbligatoria entro i termini stabiliti.
- Uso di parti di ricambio non originali Bettio Flyscreens srl.
- Rimozione od occultamento dell'etichetta identificativa BETTIO SERVICE SPA, per cui la rintracciabilità del prodotto non risulta possibile.

Per altre specifiche esclusioni dalla Garanzia, si fa riferimento alle eventuali note specificate dall'Azienda. Per qualsiasi controversia, si elegge quale unico foro competente quello di Venezia.

10. IMBALLO MOVIMENTAZIONE E TRASPORTO
La tenda oscurante o filtrante viene imballata con un involucro protettivo di carta cellulosa e con sagome di cartone per proteggere e bloccare l'intelaiatura durante il trasporto. La zanzariera è imballata con film estensibile MDT per proteggere e bloccare l'intelaiatura durante il trasporto, se effettuato con i nostri mezzi o ritirato direttamente dal cliente presso la nostra sede; se invece il trasporto della zanzariera avviene tramite un vettore allora il prodotto viene imballato con film estensibile MDT e poi inserito in scatole di cartone riempite a loro volta con sacchetti d'aria al fine di proteggere e bloccare la struttura durante la movimentazione ed il trasporto. I prodotti Scenica® sono imballati in scatole di cartone. I prodotti Elena, Salsiceni - Laura, Scorrevole - Maya, Scorrevole senza guide a pavimento - Alice, Porta a battente con molla di ritorno, sono sempre imballati in scatole di cartone riempite con sacchetti d'aria per bloccare il prodotto durante il trasporto.

Date le dimensioni e la forma del prodotto, è necessario, oltre la misura in lunghezza di 240 cm, effettuare la movimentazione manuale in due persone. Non lasciare alla portata dei bambini i materiali d'imballo, possono costituire fonte di pericolo per gli stessi.

11. ELENCO DEI RISCHI
11.1 Installazione: Adottare tutte le precauzioni previste in cantiere con particolare riguardo a quelle riguardanti i rischi di caduta.
11.2 Rischi inerenti l'utilizzo e la normale manutenzione.
Prodotti con molla di richiamo:

a) Velocità di riavvolgimento con pericolo di urto con la barra maniglia
b) Velocità di riavvolgimento con pericolo di urto con il nappino
c) Pericolo di sgancio incontrollato e ambiguità di funzionamento: velocità di riavvolgimento con pericolo di urto con la barra maniglia
d) Pericolo di caduta durante le operazioni di pulizia del telaio, del tessuto o della rete: evitare di sporgersi o farlo solo utilizzando attrezzature adeguate

11.3 Rischi inerenti la manutenzione/riparazione:
a) Pericolo di urto durante le operazioni di carico/scarico della molla
b) Pericolo di non corretto ripristino della zanzariera o della tenda durante il cambio della rete o del tessuto oscurante o filtrante
c) Pericolo derivante dal mancato utilizzo di attrezzature e DPI non marchiati CE

11.4 Pericolo di avvolgimento della catenella attorno al collo dei bambini: la catenella non deve essere posta più in basso di 120 cm, rispetto al pavimento. Utilizzare il tendicatena di sicurezza fornito con la zanzariera.

11.5 Pericolo di inciampo sulla guida mobile dei prodotti Scenica®: apporre segnaletica di avvertimento
11.6 Pericolo di inciampo sulla guida inferiore della porta con apertura laterale: apporre segnaletica di avvertimento
11.7 Rischi inerenti la dismissione: la dismissione del prodotto deve essere eseguita in base alle norme al momento in vigore
11.8 Il livello di rumore è inferiore a 70 dB(A)

9. GARANZIA
La garanzia si applica in relazione ai contenuti del D.Lgs. n. 24 del 02.02.2002 e succ.mod.
La garanzia si riconosce sul funzionamento del prodotto e sui materiali che lo compongono, escluse i danni indiretti. Non vengono coinvolti nel concetto di garanzia eventuali costi sostenuti per raggiungere il luogo dove si trova il prodotto oggetto di garanzia ed eventuali costi di installazione o rimozione.
Per la durata e la validità della garanzia (24/12 mesi a seconda di vendita rispettivamente a privati o ad imprese/professionisti) si faccia riferimento sia al documento fiscale di vendita che all'etichetta di produzione apposta sul prodotto. In ogni caso, per far valere la garanzia, l'acquirente dovrà denunciare per iscritto il difetto di conformità al venditore entro il termine di due mesi dalla data della scoperta, pena la decadenza della garanzia stessa.
9.1 Garanzia Convenzionale
In deroga alle disposizioni di legge, per le produzioni a partire dal 01/01/2016, Bettio Flyscreens srl offre una garanzia convenzionale ai sensi dell'art. 133 del D.Lgs 206/2005 esclusivamente sui componenti in plastica e sulle parti meccaniche dei prodotti.
Le condizioni di questa garanzia convenzionale, riportate di seguito, lasciano impregiudicati i diritti di garanzia previsti dalla legge:
a) Il periodo di validità della presente garanzia convenzionale è di dieci anni e decorre dalla data di produzione indicata sull'etichetta di riconoscimento del prodotto.
b) La presente garanzia convenzionale si riferisce unicamente alla riparazione e/o sostituzione (manodopera inclusa e senza spese) di componenti in plastica e di parti meccaniche dei prodotti. Si intendono escluse tutte le parti in alluminio, la rete/tessuto, tutte le parti elettriche ed elettroniche come motori elettrici, automatismi e interruttori, l'intero pacchetto automazione di Motoscenica® e gli spazzolini. Sono interamente a carico dell'acquirente le spese di smontaggio, montaggio e trasporto presso la nostra sede di Marcon (VE).
c) Nel caso in cui ciò non fosse possibile, effettueremo l'indicata sostituzione e/o riparazione alla fine di poter restituire al cliente un prodotto perfettamente funzionante, ed altresì, a nostra discrezione, forniremo un prodotto nuovo con caratteristiche simili a quello precedente, nei limiti di quanto previsto al punto b).
d) Gli interventi in garanzia convenzionale non determinano un'estensione del periodo di garanzia legale.
9.2 Decadimento della Garanzia.
- Uso improprio del prodotto in occasione di vento, pioggia, grandine, neve e/o altri eventi combinati.
- Le tende oscuranti o filtranti sono ad esclusivo uso interno.
- Cedimento della parte dove il prodotto è stato ancorato.
- Manomissione del prodotto; installazione, smontaggio, manutenzione non effettuati da installatore specializzato o non effettuati secondo le norme e le istruzioni di montaggio.
- Mancata manutenzione obbligatoria entro i termini stabiliti.
- Uso di parti di ricambio non originali Bettio Flyscreens srl
- Rimozione od occultamento dell'etichetta identificativa Bettio Flyscreens srl per cui la rintracciabilità del prodotto non risulta possibile.
Per altre specifiche esclusioni dalla Garanzia, si fa riferimento alle eventuali note specificate dall'Azienda. Per qualsiasi controversia, si elegge quale unico foro competente quello di Venezia.

10. IMBALLO MOVIMENTAZIONE E TRASPORTO
La garanzia si applica in relazione ai contenuti del D.Lgs. n. 24 del 02.02.2002 e succ.mod.
La garanzia si riconosce sul funzionamento del prodotto e sui materiali che lo compongono, escluse i danni indiretti. Non vengono coinvolti nel concetto di garanzia eventuali costi sostenuti per raggiungere il luogo dove si trova il prodotto oggetto di garanzia ed eventuali costi di installazione o rimozione.
Per la durata e la validità della garanzia (24/12 mesi a seconda di vendita rispettivamente a privati o ad imprese/professionisti) si faccia riferimento sia al documento fiscale di vendita che all'etichetta di produzione apposta sul prodotto. In ogni caso, per far valere la garanzia, l'acquirente dovrà denunciare per iscritto il difetto di conformità al venditore entro il termine di due mesi dalla data della scoperta, pena la decadenza della garanzia stessa.
9.1 Garanzia Convenzionale
In deroga alle disposizioni di legge, per le produzioni a partire dal 01/01/2016, Bettio Flyscreens srl offre una garanzia convenzionale ai sensi dell'art. 133 del D.Lgs 206/2005 esclusivamente sui componenti in plastica e sulle parti meccaniche dei prodotti.
Le condizioni di questa garanzia convenzionale, riportate di seguito, lasciano impregiudicati i diritti di garanzia previsti dalla legge:
a) Il periodo di validità della presente garanzia convenzionale è di dieci anni e decorre dalla data di produzione indicata sull'etichetta di riconoscimento del prodotto.
b) La presente garanzia convenzionale si riferisce unicamente alla riparazione e/o sostituzione (manodopera inclusa e senza spese) di componenti in plastica e di parti meccaniche dei prodotti. Si intendono escluse tutte le parti in alluminio, la rete/tessuto, tutte le parti elettriche ed elettroniche come motori elettrici, automatismi e interruttori, l'intero pacchetto automazione di Motoscenica® e gli spazzolini. Sono interamente a carico dell'acquirente le spese di smontaggio, montaggio e trasporto presso la nostra sede di Marcon (VE).
c) Nel caso in cui ciò non fosse possibile, effettueremo l'indicata sostituzione e/o riparazione alla fine di poter restituire al cliente un prodotto perfettamente funzionante, ed altresì, a nostra discrezione, forniremo un prodotto nuovo con caratteristiche simili a quello precedente, nei limiti di quanto previsto al punto b).
d) Gli interventi in garanzia convenzionale non determinano un'estensione del periodo di garanzia legale.
9.2 Decadimento della Garanzia.
- Uso improprio del prodotto in occasione di vento, pioggia, grandine, neve e/o altri eventi combinati.
- Le tende oscuranti o filtranti sono ad esclusivo uso interno.
- Cedimento della parte dove il prodotto è stato ancorato.
- Manomissione del prodotto; installazione, smontaggio, manutenzione non effettuati da installatore specializzato o non effettuati secondo le norme e le istruzioni di montaggio.
- Mancata manutenzione obbligatoria entro i termini stabiliti.
- Uso di parti di ricambio non originali Bettio Flyscreens srl
- Rimozione od occultamento dell'etichetta identificativa Bettio Flyscreens srl per cui la rintracciabilità del prodotto non risulta possibile.
Per altre specifiche esclusioni dalla Garanzia, si fa riferimento alle eventuali note specificate dall'Azienda. Per qualsiasi controversia, si elegge quale unico foro competente quello di Venezia.

Istruzione di montaggio - Instructions for the installation

503

Attacco Frontale - Frontal installation
33 a catena - 33 chain operated
41 a catena - 41 chain operated



Instructions for use and maintenance

(TRANSLATION OF ORIGINAL INSTRUCTIONS)

1. SCOPE
These instructions are for the use of fitters, maintenance mechanics, owners or users of our flyscreens or blinds.
By providing this instrument Bettio Flyscreens srl wishes to provide its customers with the means to use our flyscreens and filter or black-out blinds properly once fitted, in order to optimise their performance.
It is therefore advisable to keep these notes to hand so they can be consulted whenever needed. They are in any case extra to the User's Manual and Technical File available from the company.
2. APPLICATION
These instructions are suitably adapted to each of the following models: Scenica®, Lateral without barriers 50 - Scenica® Incasso, Lateral built-in without barriers 50 - MiniScenica®, Lateral without barriers 40 - MiniScenica® Incasso, Lateral built-in without barriers 40 - PicoScenica®, Lateral without barriers 25 - Motoscenica®, Lateral motorised without barriers - Motoscenica® Incasso, Lateral built-in motorised without barriers - Moovica, Vertical motorised - Moovica incasso, Vertical motorised built-in - Fox, Spring built-in 46 mm - Delta, Clic-dak spring built-in 50 mm - Sigma, Clic-dak chain built-in 50 mm - Omega, Lateral built-in 50 mm - Zeta, Spring built-in 40 mm - Kappa, Lateral built-in 40 mm with magnet - India, Built-in 50 mm - Africa, Chain built-in 50 mm - Sonia, Traditional spring - Katia, Traditional chain - Alba, Spring telescopic end caps and square box - Lisa, Lateral telescopic end caps and square box - Alfa, Spring radial box with telescopic end caps - Clever, Spring with click-in end caps - Beta, Lateral telescopic end caps and radial box - Gamma, Chain telescopic clic-dak® with radial box - Rosy, Clutched spring clic-dak® end caps and telescopic rails - Giudy, Chain clic-dak® end caps and telescopic rails - Mini, Spring 31 with anti-wind side rail - Flash, Lateral magnet 31 with anti-wind side rail - Revoluty/Bettio, clic-dak® 40 with anti-wind side rails - Fixed frame, Fixed - Elena, Sash insect screen - Laura, Sliding - Maya, Sliding without ground rails - Alice, Hinged door with return spring - Sabbia, 41 spring - Acqua, 33 spring - Terra, 41 chain - Aria, 33 chain.
3. REFERENCES
These instructions have been drawn up considering the products used in normal conditions. They are to be used together with other instructions given directly on the machines, also to inform operators/users of the residual risks inherent in the products.
4. USE
The fitted flyscreen system has the exclusive function of protecting against the intrusion of insects and small animals. The function of filtering systems or black-out blinds is to filter daylight in a given area.
Making any other use of the product is considered improper and is therefore prohibited as the relative working conditions are not taken into consideration in the hazard analyses carried out by the manufacturer. For this reason there may be no specific protection against such hazards. Do not lean against the mesh or fabric. Do not release the handle bar until the mesh or fabric is entirely rewound. Close the flyscreen or blind when wind speed reaches 20 km/hr.
Improper use exonerates the manufacturer from any liability for possible damage to persons or things. Failure to observe the conditions for use automatically nulls any type of guarantee provided by the manufacturer.
5. OPERATORS' REQUISITES
Anyone above the age of 12 can make normal use of flyscreens and filter or black-out blinds. Installation, repairs and extraordinary maintenance should be carried out by qualified technicians.
6. RECOMMENDATIONS FOR FITTING
With regard to personal safety, fitting must be carried out in observance of Italian Legislative Decree 81/2008 and later amendments and integrations. Under the terms of law, the customer and fitter are both responsible for safety concerns.
Before using folding mobile scaffolds, scaffolding, ladders and personal protective equipment (harnesses, safety belts, gloves, safety shoes, hard hats, etc) always check their condition and compliance with regulations. Use suitable lifting harnesses.
When there is a team of fitters the work must be coordinated and tasks and responsibilities defined. Operators shall observe the safety instructions received (Health and Safety Plan).
If the product is to be fitted on storeys above the ground floor, cordon off and attend the area when lifting the product to ensure that no-one is ever under a raised load.
The packing contains instructions for assembly, use, maintenance and warranty; they must be handed over to the end user after the fitter has illustrated them.
7. INSTALLING THE MECHANICAL STRUCTURE
Wrong or bad installation may cause accidents. Read the instructions carefully so that the product is properly fixed and cannot fall out.
Check the condition of the structure to which the flyscreen or blind will be anchored/ fixed. The dynamic load the fully unwound flyscreen must bear is that of a 130 km/hr wind.
Black-out or filter blinds may be fitted to a wall or door/window; the choice of plugs for wall fitting and screws for door/window fitting depends on the type and condition of the wall or door/window.
Fitting black-out or filter blinds to a wall: we advise the use of 3x30mm countersunk head screws with Euro4 nylon rawl plug for securing the bottom shoes and top, and 4x40mm countersunk head screws with Euro6 nylon rawl plug for fixing the rails.
Fitting black-out or filter blinds onto a door or window: we advise the use of 3x20mm countersunk head screws for securing the bottom shoes and top, and 3x12mm countersunk head screws for fixing the rails. Where hollow bricks are involved use expansion rawl plugs with a suitable amount of chemical adhesive.
If the necessary resistance for safe fixing is not ensured, increase the number of rawl plugs and screws. The choice of screws and rawl plugs also depends on the condition and type of the wall/metal/door/window structure onto which the product will be fitted. Plugs and screws are not provided.
Take care when handling the product: the rollers are spring loaded.
Fitting instructions are given on the sheet in the packing. If it is necessary to seal, use neutral silicone resin.
8. MAINTENANCE
8.1 Routine Maintenance
As the materials used in manufacturing our flyscreens/blinds are of top quality, no routine maintenance is necessary apart from occasional cleaning of the fabric or mesh to prevent the formation of mould caused by dust or other matter. Make a visual check of the fabric or mesh at least twice a year; with regard to the mesh, in spring before summer opening and in autumn before winter dosing. Use a vacuum cleaner to clean dust off fabric or mesh. If the fabric is marked "WASHABLE" in the catalogue it can be washed with a sponge or

cloth soaked in warm water. Dry the fabric or mesh after cleaning and before rewinding. DO NOT use solvents, ammonium or hydrocarbons for cleaning.
WARNING: the use of ladders, folding mobile scaffolds or other is reserved for specialists who will perform cleaning operations according to safety regulations and using personal protection equipment such as safety harnesses with fall arrester ropes (see Italian Legislative Decree 81/2008).
8.2 Extraordinary Maintenance
ATTENTION: all extraordinary maintenance operations must be performed by professionally qualified trained personnel; for this reason hire a specialist.
To dismount your flyscreen and/or black-out or filter blind, or any part of it, see the fitting instructions. If the mesh or fabric is torn, even slightly, it must be replaced.
The warranty will not be valid if original spare parts are not used.
9. WARRANTY
The warranty is applied as per Italian Legislative Decree No. 24 of 02.02.2002 and later amendments. The warranty covers the operation of the product and the materials comprising it, excluding indirect damage. The warranty does not cover any costs incurred to reach the location of the product under warranty and any fitting or removal costs.
For duration and validity of the warranty (24/12 months according to whether the sale was to a private individual or company/professional) please refer to the fiscal sales receipt and the label on the product. In any case, to take advantage of the warranty the purchaser must report the fault in writing to the seller within two months of its occurrence, otherwise the warranty will be null and void.
9.1 Manufacturer's Warranty
Notwithstanding the terms of law, for products manufactured from 01/01/2016 Bettio Flyscreens srl provides a manufacturer's warranty as per art. 133 of Italian Legislative Decree 206/2005 exclusively on the plastic and mechanical parts of the products.
The conditions of this warranty are given below. They do not affect statutory rights:
a) Validity of this manufacturer's warranty is ten years from the production date indicated on the product ID label.
b) This manufacturer's warranty refers solely to the repair and/or replacement (labour included and without costs) of the plastic and mechanical parts of the products. It excludes all aluminium parts, the mesh/fabric, all electric and electronic parts such as electric motors, automation and switches, the entire Motoscenica® automation package and brushes. The purchaser shall cover the costs for dismantling, assembling and transporting to our premises at Marcon, Italy.
c) If this is not possible, we will replace and/or repair as indicated above in order to ensure that the customer has a product in perfect working order. In addition, at our discretion we will provide a new product with similar characteristics to the previous one, within the limits of clause b) above.
d) Operations under manufacturer's warranty do not cause an extension of the duration of the statutory warranty.
9.2 Warranty Void
- Improper use of the product with wind, rain, hail, snow and/or combinations of such. Black-out or filter blinds are exclusively for indoor use.
- Structural failure of the part to which the product is anchored.
- Manhandling: fitting, dismantling and maintenance not carried out by specialists or not in observance of regulations and assembly instructions.
- Lack of obligatory maintenance within the established terms.
- Use of spare parts not original Bettio Flyscreens srl.
- Removing or obscuring the Bettio Flyscreens srl ID label, impeding product traceability.
For other specific items not covered by the warranty, see any notes indicated by the company.
In the case of controversy, the only competent court is the Court of Venice, Italy.
10. PACKING, HANDLING AND TRANSPORT
Black-out or filter blinds are packed in a protective cellulose paper bag with cardboard shapes to protect and hold the frame in place during transport. Flyscreens are packed in MDT shrink film to protect and hold the frame in place during transport on our vehicles, or collected from our facilities by the customer; if flyscreens are transported by couriers the product is packed in MDT shrink film and then placed in a cardboard box with air-filled bags to protect and hold the structure in place during handling and transport. Scenica® products are packed in cardboard boxes. Elena, Sash insect screen - Laura, Sliding - Maya, Sliding without ground rails - Alice, Hinged door with return spring, are in any case packed in cardboard boxes with air-filled bags to hold the product in place during transport.
Given the dimensions and shape of the products, those with a length exceeding 240 cm should be handled by two people.
Keep out of reach of children, packing material can be highly dangerous for them.
11. HAZARDS
11.1 Fitting: adopt all the precautions indicated on the site, paying special attention to the hazard of falling.
11.2 Hazards inherent in use and ordinary maintenance. Products with return spring:
a) Winding speed with hazard of injury by the handle bar
b) Winding speed with hazard of injury by the pull cord
c) Hazard of uncontrolled release and abnormal operation: winding speed with hazard of injury by the handle bar
d) Hazard of falling when cleaning the frame, fabric or mesh: do not lean out unless provided with suitable protective equipment
11.3 Hazards inherent in maintenance/repairs:
a) Hazard of knocks when loading/releasing the spring
b) Hazard of wrong refitting of flyscreens or blinds when changing the mesh, or black-out or filter blind fabric
c) Hazard deriving from not using equipment and personal safety equipment marked with the CE label
11.4 Hazards deriving from the chain winding round children's necks: the chain must not be placed at below 120 cm from the ground. Use the safety chain tensioner provided with the flyscreen.
11.5 Hazard of tripping over the mobile rails of Scenica® products: place a warning sign in view
11.6 Hazard of tripping over the bottom rail for the door with side opening: place a warning sign in view
11.7 Hazards arising from decommissioning: the product must be decommissioned in observance of current regulations
11.8 The noise rating is below 70 dB(A)

Distinta - List of profiles and components



- 1) Un cassonetto completo. A complete casement box.
- 2) Due Guide con spazzolini. Two side guides with brush.
- 3) Una Guida senza spazzolini. One side guide without brush.
- 4) Una coppia Adattatore catena. A pair of adjusting plugs for chain.
- 5) Una coppia di Angoli per catena. A pair of shes for frontal installation chain operated.
- 6) Un "Ferma catena a muro". A wall chain stopper.
- 7) Un Giunto catena. A chain joint.
- 8) Un Fine corsa. A chain stop.

Installazione con biadesivo Double tape installation



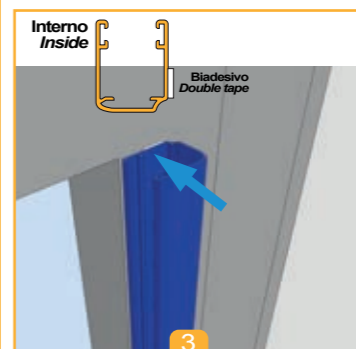
10cm

Installazione con biadesivo Double tape installation



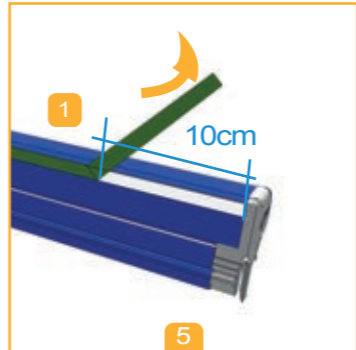
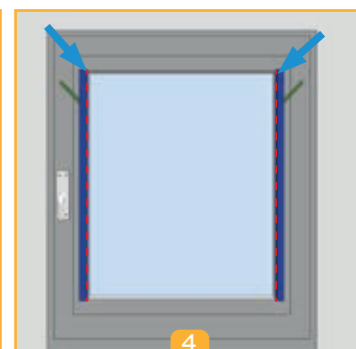
10cm

Interno Inside

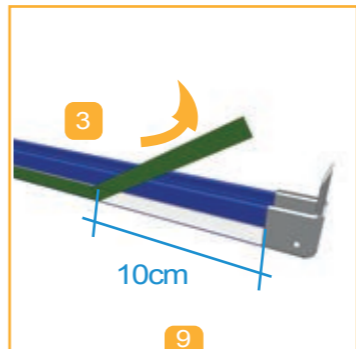
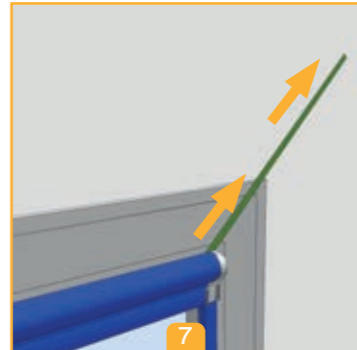
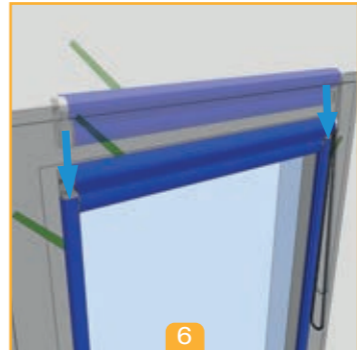


Biadesivo Double tape

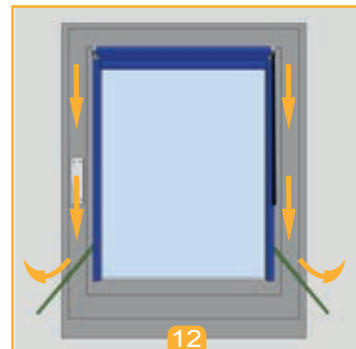
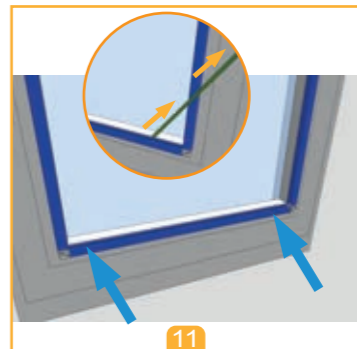
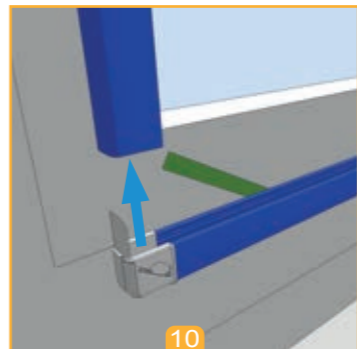
Installazione con biadesivo Double tape installation



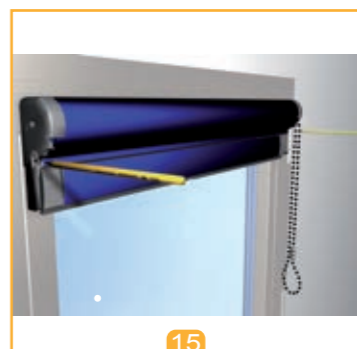
10cm



10cm



Installazione con viti Screw installation



Installazione su infisso Frame installation

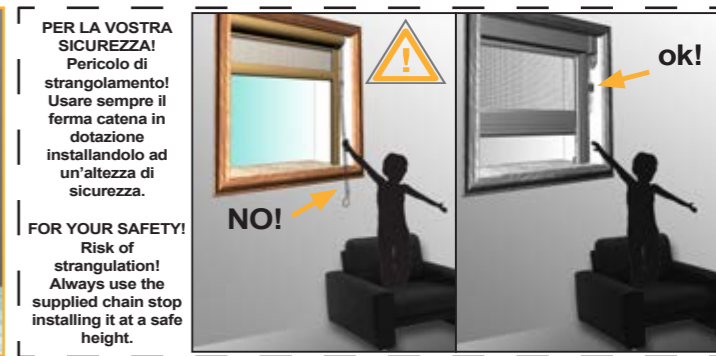
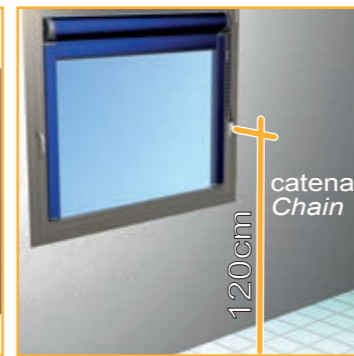
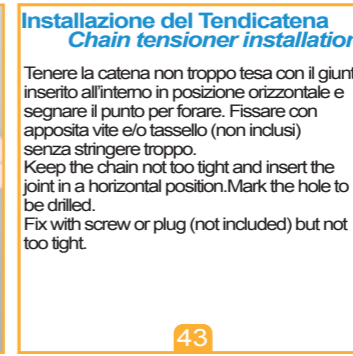
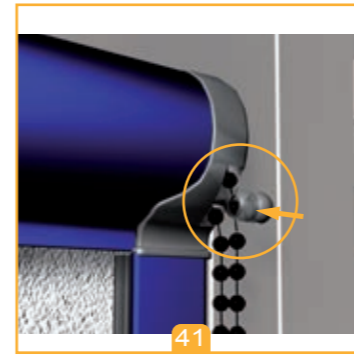
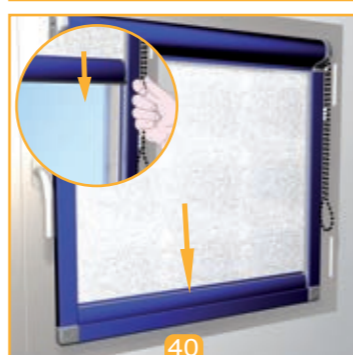
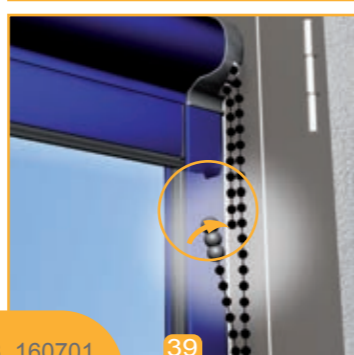
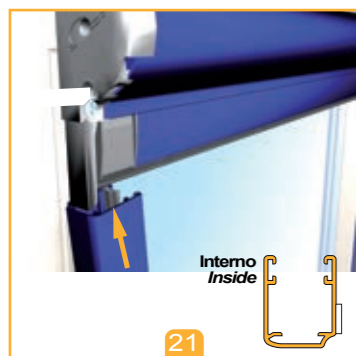


Ø 2mm



BettioLiving

mod.503 170411



Istruzioni d'uso e manutenzione

ISTRUZIONI ORIGINALI

1. SCOPO
Queste istruzioni sono rivolte a chi utilizza la zanzariera o la tenda come installatore, manutentore, proprietario o utente. Con questo strumento la Bettio Flyscreens srl intende fornire al Cliente uno strumento di supporto per un uso più consapevole e corretto dei sistemi di zanzariere e tende filtranti o oscuranti installati, al fine di un'ottimizzazione delle loro prestazioni. E' quindi consigliato per un corretto e vantaggioso utilizzo del sistema tenere disponibili le presenti note ai fini di garantire una rapida consultazione ogni qualvolta le circostanze lo rendano necessario. Esse sono comunque supportate dal Manuale d'Uso e Manutenzione e dal Fascicolo Tecnico disponibili in Azienda.

2. CAMPO DI APPLICAZIONE
Le presenti istruzioni si riferiscono ai seguenti modelli: Sabbia, 41 a molla - Acqua, 33 a molla - Terra, 41 a catena - Aria, 33 a catena, per i quali sono coerentemente adattati i contenuti.

3. RIFERIMENTI
Le presenti istruzioni, sono state redatte tenendo conto delle normali condizioni di uso della macchina al fine di informare, unitamente alle altre istruzioni per l'uso apposte sulla macchina, gli operatori/utilizzatori anche sui rischi residui che la stessa presenta.

4. USI PREVISTI
La funzione del sistema zanzariera installato è esclusivamente quella di dare protezione contro l'intrusione di insetti e piccoli animali negli ambienti da proteggere, mentre la funzione dei sistemi filtranti e oscuranti è esclusivamente quella di filtrare od oscurare un determinato ambiente dalla luce diurna. Ogni impiego diverso da quello indicato deve essere considerato improprio, e pertanto vietato, in quanto le relative condizioni di esercizio non sono state considerate nell'analisi dei rischi condotta dal fabbricante e per i quali potrebbero non essere presenti protezioni specifiche. E' vietato appoggiarsi alla rete o al tessuto. E' vietato lasciare la barra maniglia senza accompagnarla fino al totale riavvolgimento della rete o del tessuto.

Quando la velocità del vento raggiunge i 20 km/h è necessario chiudere la zanzariera o la tenda. L'uso improprio assume da ogni responsabilità il costruttore stesso, per eventuali danni causati a persone o cose. Il mancato rispetto delle condizioni d'uso fa decadere automaticamente qualsiasi tipo di garanzia data dal produttore.

5. REQUISITI DELL'OPERATORE
L'uso normale della zanzariera e della tenda filtrante o oscurante, è consentito ad operatori non professionisti purchè di età superiore ad anni 12. Le operazioni di installazione, riparazione e manutenzione straordinaria, devono essere effettuate da personale tecnico qualificato.

6. RACCOMANDAZIONI PER L'INSTALLAZIONE
L'installazione deve essere eseguita nel pieno rispetto del D.Lgs. 81/2008 e delle successive modifiche e integrazioni, per tutto ciò che attiene la sicurezza delle persone. Il committente e l'installatore sono rispettivamente responsabili ai sensi della legge vigente, in materia di sicurezza. E' necessario controllare, prima dell'utilizzo, che trabattelli, ponteggi, scale e tutti i dispositivi di protezione individuale (imbracature, cinghie di sicurezza, guanti, scarpe di sicurezza, elmetti, ecc), eventualmente utilizzati, siano a norma ed in buono stato. Utilizzare i mezzi d'imbracatura adeguati. Nel caso gli installatori siano più di uno, è necessario coordinare i lavori, definire i compiti e le responsabilità. Gli operatori devono comportarsi in conformità alle istruzioni di sicurezza ricevute (POS). Nel caso in cui il prodotto debba essere montato ad un piano elevato rispetto a quello di terra, è necessario delimitare e presidiare l'area durante la salita al piano del prodotto in modo che nessuno possa trovarsi sotto l'eventuale carico sospeso. L'imballo del prodotto contiene le istruzioni di montaggio, d'uso, manutenzione e garanzia.

L'installatore deve accertarsi che siano consegnate, previa lettura e commento, all'utilizzatore finale.

7. INSTALLAZIONE DELLA STRUTTURA MECCANICA
Una installazione non corretta può essere causa di infortuni alle persone. Leggere attentamente le istruzioni per un fissaggio corretto del prodotto in modo da evitare rischi di caduta dello stesso. E' necessario verificare lo stato della struttura sulla quale viene effettuato l'ancoraggio/fissaggio della zanzariera o della tenda. In realtà lo sforzo dinamico cui il telaio dovrà resistere con la zanzariera completamente svolta dal cassonetto, è quello del vento che soffia a 130 km/h. La tenda oscurante o filtrante può essere installata sul muro o sul serramento: la scelta dei tasselli di ancoraggio per l'installazione sul muro e delle viti di fissaggio per l'installazione sul serramento, è dipendente dal tipo e dallo stato del muro o del serramento. Installazione della tenda oscurante o filtrante sul muro: per il fissaggio delle testate e dei piedini inferiori si consiglia di usare viti a testa cilindrica con impronta a croce da 3x30 mm con tassello in nylon Euro 4, mentre per il fissaggio delle guide si consiglia di usare viti a testa cilindrica con impronta a croce da 4x40 mm con tassello in nylon Euro 6. Installazione della tenda oscurante o filtrante sul serramento: per il fissaggio delle testate e dei piedini inferiori si consiglia di usare viti a testa cilindrica con impronta a croce da 3x20 mm, mentre per il fissaggio delle guide si consiglia di usare viti a testa cilindrica con impronta a croce da 3x12 mm. In presenza di mattoni forati utilizzare tasselli espansibili con collante chimico di adeguate dimensioni. Nel caso non siano rispettati i requisiti di resistenza necessari ad un fissaggio in sicurezza, aumentare il numero di tasselli e viti. La scelta delle viti e dei tasselli di ancoraggio, dipende anche dallo stato e dalla natura della struttura muraria/metallica/serramento sulla quale si effettua l'installazione/fissaggio. I tasselli e le viti non sono forniti con il prodotto. Fare attenzione nella manipolazione del prodotto: gli avvolgitori sono montati con molle cariche. Le istruzioni di posa in opera, sono descritte nel foglio contenuto nell'imballo. L'eventuale attività di sigillatura sarà eseguita con resina silconica neutra.

8. MANUTENZIONE
8.1 Manutenzione ordinaria
Data l'alta qualità dei materiali impiegati nella costruzione della zanzariera/tenda, non è prevista alcuna manutenzione ordinaria tranne l'eventuale pulizia del tessuto o della rete per salvaguardarli dalla formazione di muffe causate dal deposito di polveri o altro materiale sugli stessi. Il tessuto o la rete, deve essere controllato visivamente almeno 2 volte all'anno; per quanto concerne la rete, in primavera prima dell'utilizzo per la stagione estiva ed in autunno prima della chiusura invernale. La pulizia del tessuto o della rete può essere effettuata con aspirazione della polvere o, solo per i tessuti in cui è consentito nelle avvertenze del catalogo con il simbolo "LAVABILE", con spugna o panno umido utilizzando acqua tiepida. Fare asciugare il tessuto o la rete dopo la pulizia e prima dell'avvolgimento. Per la pulizia, NON utilizzare solventi ammoniacali-idrocarburi. ATTENZIONE: la pulizia con scale, trabattelli o altro è riservata a personale specializzato che dovrà eseguire le operazioni nel rispetto delle norme di sicurezza e dovrà utilizzare i dispositivi di protezione individuale quali imbracature di sicurezza con fune di trattenuta (vedi D.Lgs. 81/2008).

8.2 Manutenzione straordinaria
ATTENZIONE: tutte le operazioni di manutenzione straordinaria devono essere effettuate da personale professionalmente qualificato ed addestrato: pertanto è necessario richiedere l'intervento dello specialista. Vedere le istruzioni di installazione di posa in opera per l'eventuale smontaggio della zanzariera e/o della tenda oscurante o filtrante, o di parti di essa. In presenza di strappi sulla rete o sul tessuto oscurante o filtrante, anche di piccole dimensioni, è necessario provvedere alla loro sostituzione. Usare parti di ricambio originali, pena la decadenza della garanzia.