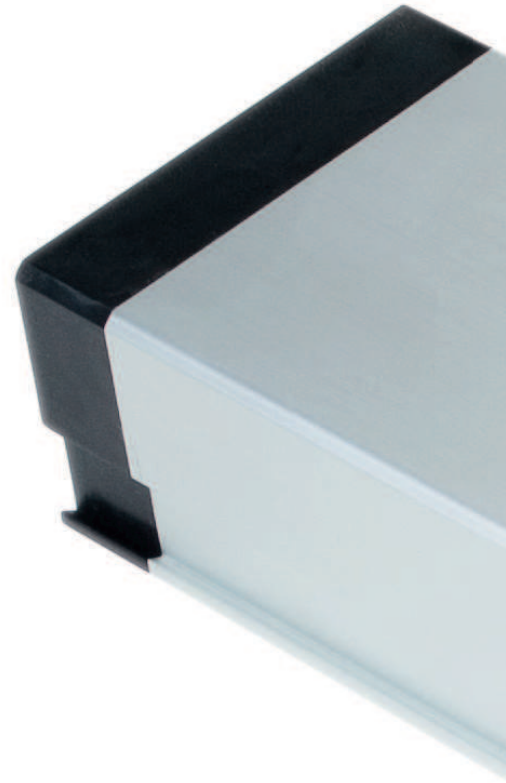


SINTESI

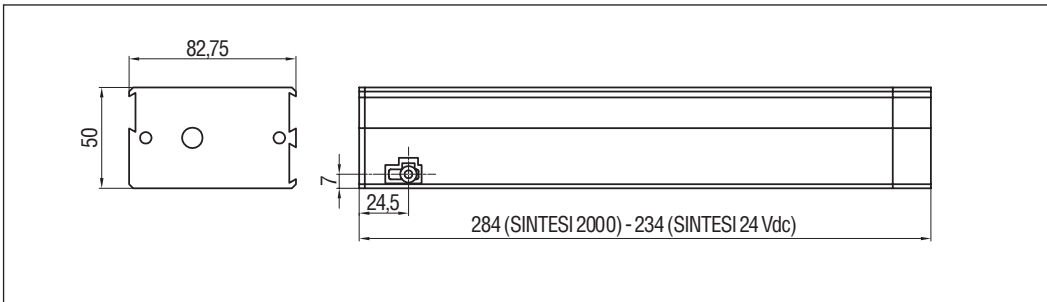
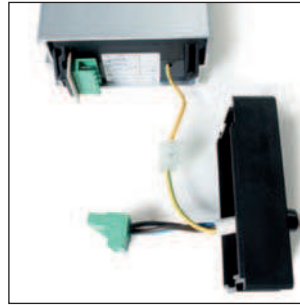
Chain actuator - Force in pull action 300 N - Stroke 250-380 mm



- Possibility of selecting two different strokes: 250 mm or 380 mm.
- Three dovetail slides for an easy installation; the sliding fixing bracket is included in the package.
- **SINTESI 2000**: Exclusive system for electrical connection. The special removable plug allows a very quick and easy connection. It is ideal for the final test of the actuators on the building site.
- For installation on top hinged windows select the 250 mm stroke in order to better resist to the wind load.
- In case of vents with four-bar hinges, please contact our Technical Dpt.
- Minimum window height: 500 mm with 250 mm stroke, 800 mm with 380 mm stroke. In case of lower windows install the pivoting bracket part No. 40560T.
- A longer eyelet is available on request in case of wooden or PVC windows.
- For installation of two **SINTESI 2000** on the same vent it is available a control coupling unit 230 Vac, part. No. 41089V.
(See CONTROL ACCESSORIES section)

	SINTESI 2000	SINTESI 24 V DC
VOLTAGE SUPPLY	230 Vac \pm 10%	24 Vdc \pm 10%
ELECTRIC CONNECTION	3 wires + earth	2 wires
OPERATION		by polarity inversion
STROKE	Selectable 250 mm/380 mm	Selectable 250 mm/380 mm
FORCE IN PUSH ACTION	180 N (stroke 250 mm) 90 N (stroke 380 mm)	180 N (stroke 250 mm) 90 N (stroke 380 mm)
FORCE IN PULL ACTION	300 N	200 N
SPEED	~ 40 mm/s	~ 14 mm/s
ABSORPTION (with max load)	0,65 A	1 A
PARALLEL CONNECTION	YES	YES
LIMIT STOP	Micro switches	Micro switches
SAFETY STOP	Thermic	Electronic
FEEDBACK SIGNAL	close	open/close
PROTECTION CLASS	IP 20	IP 20
PART No.		
SILVER ANODIZED	40313C	37127H
DARK BROWN ANODIZED	40314D	37128K
WHITE PAINTED RAL 9010	40316F	37129L



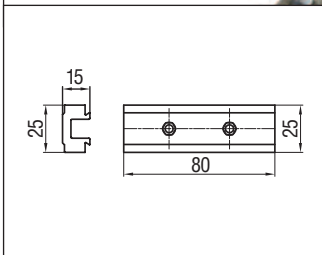


Actuator dimensions

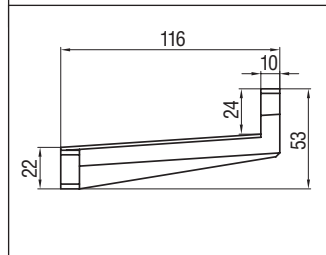
SPECIFICATION PROSPECTS

Electric chain actuator Ultraflex Control Systems named Sintesi with selectable stroke 250 mm or 380 mm. Voltage supply 230 Vac or 24 Vdc. Removable plug for electrical connection (230 Vac version). Parallel connection. Limit stop by micro switches, thermal protection in case of overload (230 Vac version) or electronic safety stop (24 Vdc version). Casing in silver anodized, dark brown anodized, white painted RAL 9010. The 230 Vac version and the 24 Vdc version are conform to 2004/108/CE directive, the 230 Vac version is conform also to 2006/95/CE directive.

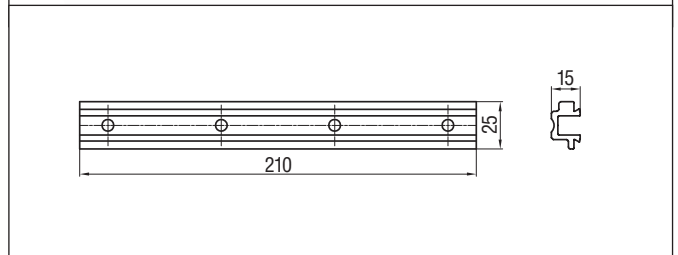
Accessories



Sliding plastic fixing bracket (included)

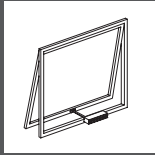


Bottom hinged window plastic bracket part No. 36665E

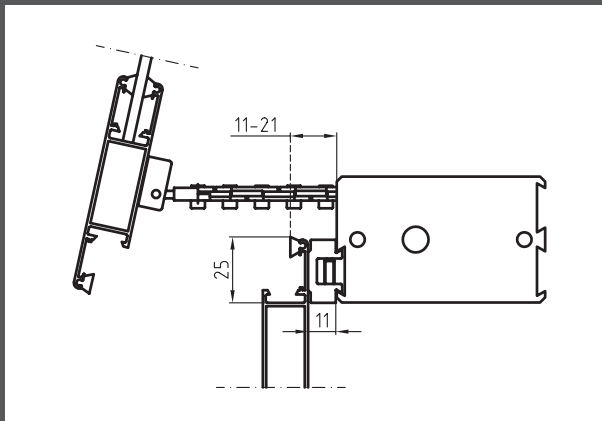


Long sliding aluminium bracket part No. 37021U for heavy windows and smoke and heat extraction installation

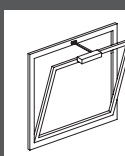
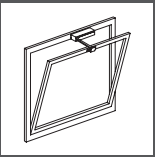
Installation examples



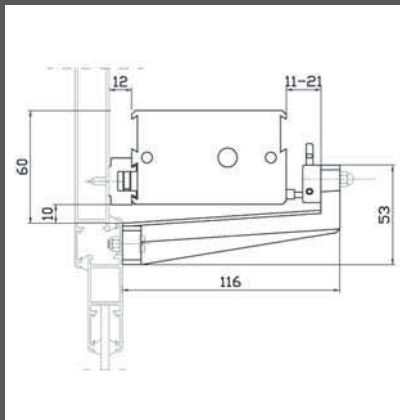
Top hinged windows



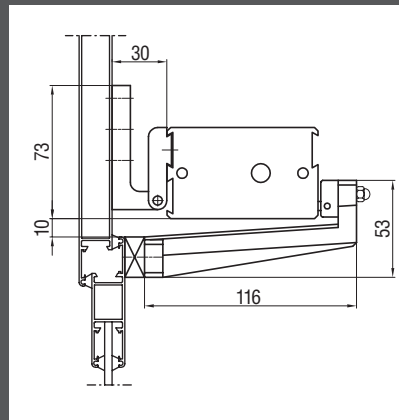
On the frame with the sliding fixing bracket included



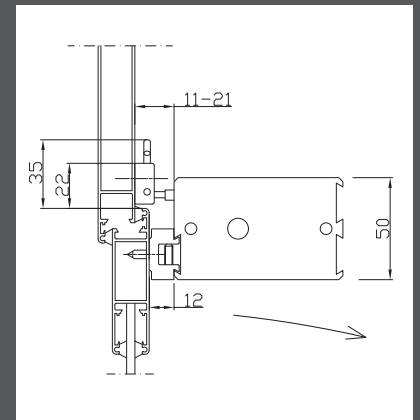
Bottom hinged windows




On the frame with the sliding fixing brackets included and the bottom hinged window bracket part No. 36665E



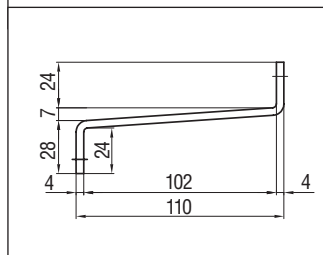
On the frame with the bottom hinged window brackets part No. 36665E and pivoting brackets part No. 40560T



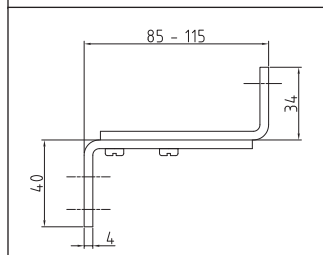
With sliding fixing bracket included

 The instructions for a safe installation are included in the section "SECURITY WARNINGS"

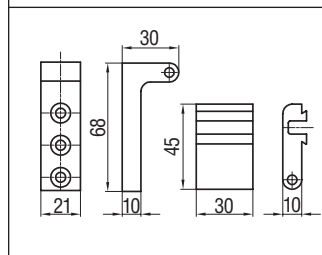
Accessories



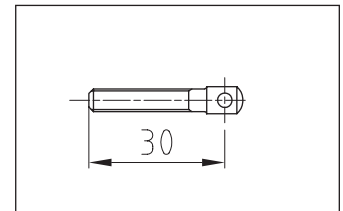
Bottom hinged window bracket part No. 40157I for smoke extraction installation and heavy windows



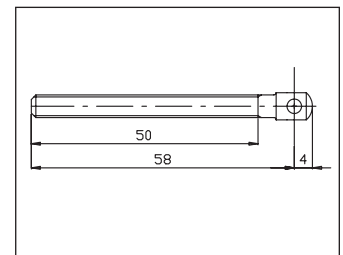
Adjustable aluminium bracket for bottom hinged window part No. 37493H



Aluminium dovetail pivoting bracket part No. 40560T



Included



Chain tie-rod for special installation (for example wood or PVC window frame) part No. 81222C